

**WATERTIGHT
STAINLESS STEEL
LIGHTING FIXTURE**



**PERFORMANCE
SAFETY
RESISTANCE**

RINO SERIES

Stainless Steel Lighting Fixture

The range is composed of a well-studied series of IP66 watertight lighting fixtures in AISI 304 austenitic stainless steel. Made of a single cold drawn piece, the range provide also emergency version, which have 1 fluorescent tube with an electronic feeder and buffer battery. The outer hinges are also made of 100% stainless steel, guaranteeing resistance in any environment.

The small dimensions and high photometric output make RINO watertight lighting fixtures an effective answer to even the most complex installations.



They have been designed in compliance with standards CEI EN 60598-1, CEI EN 60598-2-1, CEI 34-21, CEI EN 60529 and CEI 70-1.



- Power from 18W and 36W
- From 1 to 3 lamps
- 2 Versions, standard and with emergency light
- Complete with cable glands and hooks for pendant installation
- Voltage $U_n=250V$, 50/60 Hz
- Protection rating IP 66 ▽
- Diffuser impact resistance: 10J



APPLICATIONS:


It is suitable for a wide variety of uses: from small workshops to heavy duty uses, even in the presence of highly aggressive substances.

For example: machine shops, food industry, galvanising plants, chemical industries, tunnels, heavy mining industries, environments with the presence of cutting oils. The IP66 protection rating makes them ideal for installations on ships, cargo ships, navy ships, ferries, port areas, oil rigs, etc.



HIGH PERFORMANCE

The ultra-bright aluminium reflector available for the twin lamp versions ensures optimum recovery of the luminous flux and an extremely uniform diffusion.




AISI 304 STAINLESS
STEEL HOOKS



TEMPERED GLASS DIFFUSER
WITH IMPACT RESISTANCE OF 10 J

SAFE



The diffuser screen is made of tempered glass with an impact resistance of 10 J. A stainless steel frame protects the edges against knocks and keeps the watertight seal intact.

NON-DEFORMABLE BODY

BRASS CABLE
GLAND



ULTRA-POLISHED ALUMINIUM
REFLECTOR WITH
VERY HIGH OUTPUT

AISI 304 STAINLESS STEEL
IMPACT-PROOF FRAME

NON-AGEING ELASTOMER SEALS

RESISTANT

Designed with the very latest technology, this non-deformable structure can be installed even in the presence of vibrations.



TECHNICAL SHEET

REFERENCE STANDARDS

Lighting fixtures: CEI EN 60598-1 • CEI EN 60598-2-1 • CEI 34-21
 Protection ratings: CEI EN 60529 • CEI 70-1

GENERAL SPECIFICATIONS

The RINO series watertight lighting fixtures in AISI 304 stainless steel are characterized by the tempered glass diffuser and the corrosion resistant aluminium reflector, which has been specially anodized and polished. This structure consists of an enclosure that protects against the harshest climatic conditions and corrosion of highly aggressive atmospheres. In particular, the IP66 protection prevents any dust from entering the device, which can cause a drastic deterioration in photometric output.

The AISI 304 stainless steel body and glass diffuser are totally resistant to the harshest environments such as salt spray fog and sulphurous anhydrite, and are not damaged by the prolonged effects of the sun's direct rays.

these characteristics allows the lighting fixtures to be used both in normal conditions, such as machine shops and food industries, and in difficult environments such as refineries, chemical industries and spray painting rooms, etc.

these fixtures hold fluorescent tubular lamps of up to 3x36W (9000lm), which are available in different shades and colour representations. Thanks to the constantly specular reflector and the internal white painted steel body with a high reflection factor, these lighting fixtures can be used in environments where the standard UNI 10380 requires very high performances in lighting technology, such as final assembly industries and textile industries, etc.

wiring: power supply 250V 50/60Hz. Rigid leads with PVC-HT sheath resistant to 90°C as per Standards CEI 20-20. 2P+± terminal box with maximum cable cross-section of 2.5 mm².

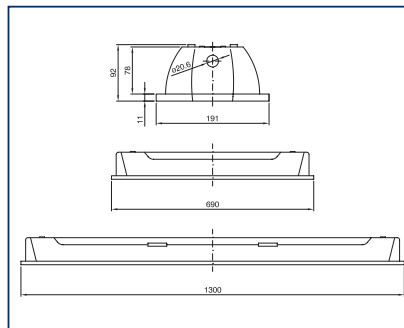


LAMP SPECIFICATIONS

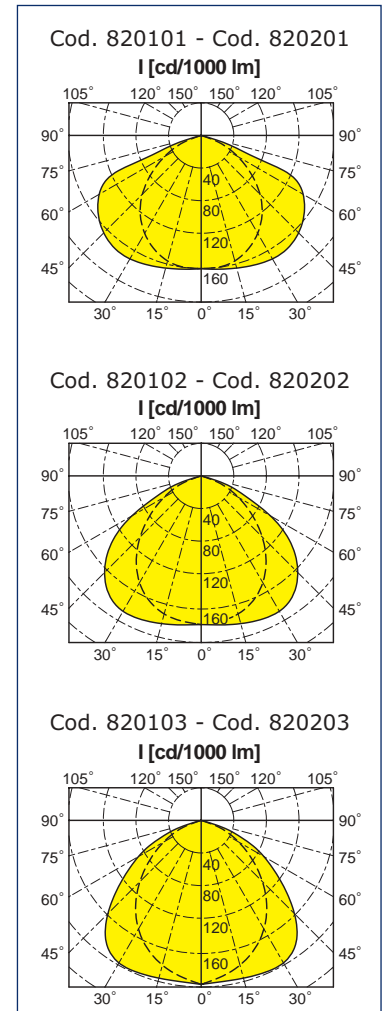
no.X lamp type	Luminous flux	Lamp holders
1xL18	1200 lm	G13
2xL18	2400 lm	G13
3xL18	3600 lm	G13
1xL36	3000 lm	G13
2xL36	6000 lm	G13
3xL36	9000 lm	G13

Shades: W,I,C, **Color representation:** 1A, 1B

DIMENSIONAL DIAGRAM



PHOTOMETRIC CURVES

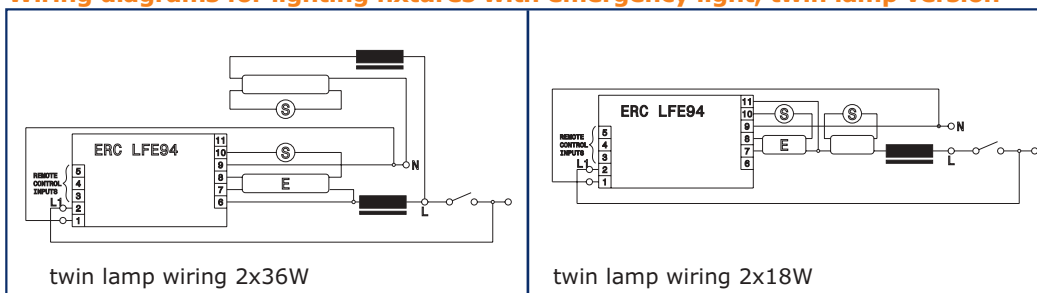


SUITABILITY FOR USE IN SPECIAL ENVIRONMENTS

Type of environment	Area class or type	Dev. or hous.	Type of environment	Area class or type	Dev. or hous.	Type of environment	Area class or type	Dev. or hous.
Risk of explosion of fire 	COZR	●	Particular environment 	IE 35	●	Presence of water 	Drops	●
	C2E	○		IE 36	○		Splashes	●
	C2NE	●		IE 41	●		Jets	○
	Fire	●		IE 42	○		Immersion	✗

● More than adequate
 ○ Suitable
 ✗ Non suitable

Wiring diagrams for lighting fixtures with emergency light, twin lamp version



WATERTIGHT STAINLESS STEEL LIGHTING FIXTURES WITH TEMPERED GLASS DIFFUSER 250V - 50/60 Hz - IP66

Equipment:

cod. 820102 and 820202 with ultra-polished aluminium reflectors. 1/2" gas cable gland. Pair of hooks for pendant installation. Starter.

Characteristics:

AISI 304 stainless steel body and hooks. Diffuser in tempered glass with an impact resistance of 10J. Lampholder type G13. Terminal blocks with protection fuses. (fuse cartridge included).

Uses:

it is suitable for a wide variety of uses, from small workshops to heavy duty uses, both indoors or outdoors, even in the presence of highly aggressive substances.



Power (w)	Lampholder type	Dimensions (mm)	Palazzoli Code	Pack. Q.ty
1x18	G13	700x220x90	820101	1
2x18			820102	1
3x18			820103	1
1x36		1310x220x90	820201	1
2x36			820202	1
3x36			820203	1

WATERTIGHT STAINLESS STEEL LIGHTING FIXTURES FOR EMERGENCY LIGHTING WITH TEMPERED GLASS DIFFUSER 250V - 50/60 Hz - IP66

Equipment:

ultra-polished aluminium reflector. 1/2" gas cable gland. Pair of hooks for pendant installation. Starter.

Characteristics:

emergency wiring, permanent type on a single lamp, Ni-Cd battery, inverter, 1h autonomy, 24 h recharging with possibility of deactivation. AISI 304 stainless steel body and hooks. Diffuser in tempered glass with an impact resistance of 10J. Lampholder type G13. Terminal blocks with protection fuses. (fuse cartridge included).

Uses:

it is suitable for a wide variety of uses, from small workshops to heavy duty uses, both indoors or outdoors, even in the presence of highly aggressive substances. For all cases where lighting is also needed without voltage (e.g. work places in industrial production units).



Power (w)	lampholder type	Dimensions (mm)	Palazzoli Code	pack. Q.ty
(1+1)x18	G13	700x220x90	820111	1
(1+1)x36		1310x220x90	820211	1

TECHNICAL ACCESSORIES

RINO Series

Pair of hooks for pendant installation of watertight stainless steel lighting fixtures.



Material	Palazzoli Code	Pack. Q.ty
AISI 304 Stainless Steel	820001	1

Equipment: lighting fixture washers and fixing nuts

RINO Series

Pair of swivelling supports for wall and ceiling installation of watertight stainless steel lighting fixtures.



Rotating angle	Material	Palazzoli Code	Pack. Q.ty
± 75°	AISI 304 Stainless steel	820000	1

MULTIMAX SERIES



AS AND ASC TER
DISTRIBUTION BOARDS



TAIS MIGNON SERIES



ULYSSE SERIES



CAM SERIES



IO REGOLO SERIES



NAUTILUX SERIES



LIGHTING



Palazzoli S.p.A. reserves the right to modify the illustrated products at any time without prior warning.

orderinfo@palazzoli.it



www.palazzoli.it