

new

# building site system

## energybox

The safest  
The most functional  
The most convenient



FPB  
**Palazzoli**



# energybox

## ASC distribution board for construction sites

- ✓ **more functional**  
It's the easiest to transport, the fastest to install, the most convenient to use.
- ✓ **more efficient**  
Structure made of the most resistant insulating material, with the greatest number of sockets for the same space. With all the quality of Palazzoli electrical connections.
- ✓ **more personal**  
It is the only one that can be fitted with spotlights and personalised with a plate bearing the logo of the supply or construction company.



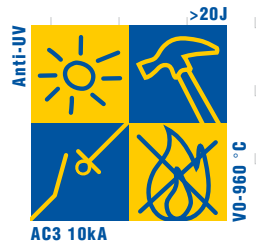
### characteristics

Nominal current of sockets	16-32-63 A
Power supplied by	plug or cable
Protection level	IP55
Number of sockets	max. 6



# new solutions for construction sites

**greater safety,  
less work**



**3** GENERAL CHARACTERISTICS

**FPB Palazzoli**

# energybox

## EASY TO TRANSPORT



The convenient ergonomic grip allows the **panel to be moved by a single person** safely and easily. It comes with **five coupling points**, so that the most suitable one can always be chosen, and can also be used with a crane.

## CLOSURE WITH PLUGS INSERTED



A careful study of the design has provided ample room to allow **closing of the doors with all plugs inserted, even with the 63A**: another energybox exclusive in order to work better.

## OPENING BEYOND 180°



Thanks to special hinges, the robust doors can be fully opened. They do **not obstruct** working on the panel and **eliminate the risk of impacts**. There is a convenient internal document pouch to hold the statutory certification.

## AUTOMATIC CABLE CLAMP

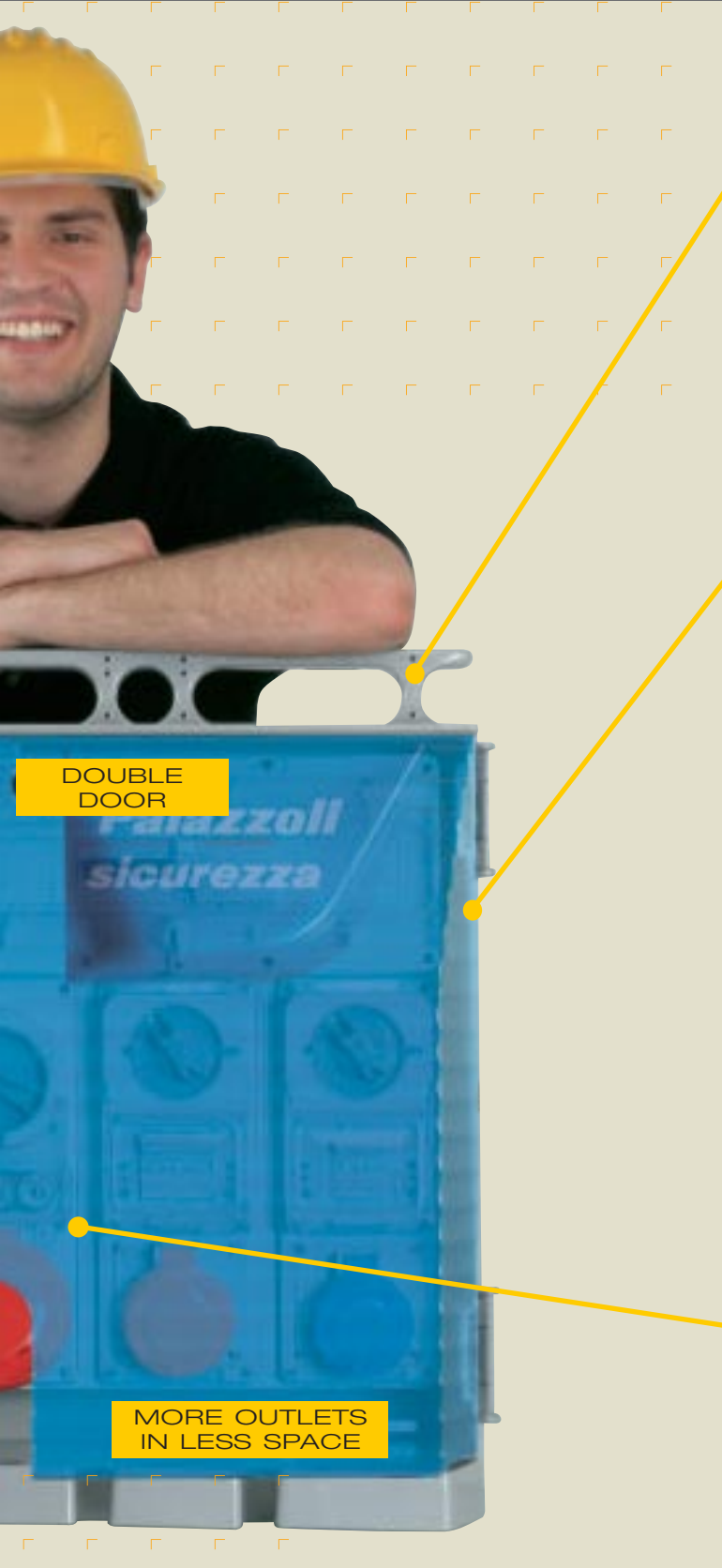


Clamping the plug cables is **no longer time-consuming**; simply place the cable into the conical groove in order to **automatically prevent tugging ensuring safety**.

EMERGENCY  
BUTTON

INNOVATIVE AND  
EXCLUSIVE DESIGN

# new solutions for construction sites



DOUBLE  
DOOR

MORE OUTLETS  
IN LESS SPACE

## FITTABLE GRIP

The handle can be fitted with various accessories; for example, **spotlights**. It also acts as **cabl**e reel, thanks to its special shape. It is ready for the application of **personalised plates** bearing, for example, the company's logo.



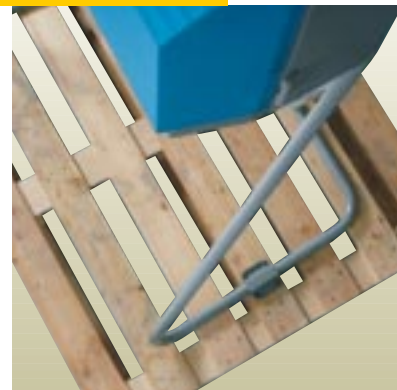
## INSTALLABLE ANYWHERE

It is fast and easy to install: traditionally (**on a wall or panel**) and, **exclusively, also on a scaffolding pole**, thanks to the innovative brackets provided.



## INSTALLABLE ON THE FLOOR

Thanks to the relative brackets, the stand can also be installed **on the ground or on a pallet**, making the panel transportable via forklift.



## GUARANTEED TO BE UNBREAKABLE

The structure, made of an innovative high-resistance twin-component **technopolymer**, and the **reliability of Palazzoli sockets**, are essential in order to withstand the "construction site" life. It is shock-proof, does not age or burn, withstands chemical agents and is perfectly insulating.



# building site system

## Palazzoli equipment, throughout the construction site.



### more choice

A truly extensive, diversified and complete line. What more could you ask for?

Numerous, diverse versions according to constructive solution and operating method. Ample choice of materials, from steel to twin-component technopolymer, from thermosetting to thermoplastic: because each work environment has different requirements. All typologies are available in the versions: standard pre-wired; special pre-wired; to be wired by installer.

## energybox

Power distribution panels with insulating twin-component technopolymer structure and thermoplastic sockets; for wall, pole or stand installation, ideal as general distribution panels for small and medium-sized sites or as area distribution panels for larger sites.

## ter

Thermoplastic panels, ideal for the power supply of electrical tools. Equipped with practical grips made of insulating material, they are easily transportable.



## tais

Distribution boards without doors, with steel structure and thermosetting sockets, for wall or stand installation, ideal as general distribution panels for medium-sized and large sites.



### more service

The value added to a quality product can be nothing other than efficient services, in order to provide support in the choice of project designers, installers and construction companies.

Upon request, Palazzoli's customer service provides:

**SPECIAL PRE-WIRED PANELS** built according to customer specifications (see form on the side);

**CONSTRUCTION SYSTEM** to build the panel from a Palazzoli design, with the help of ASC COMPOSER designing, budgeting and certification software, available on CD or at [www.palazzoli.it](http://www.palazzoli.it);

**TECHNICAL-COMMERCIAL CONSULTING** free of charge, to suggest the best solutions from an application as well as regulatory point of view.

Toll-free number 800-700.332 Monday/Friday, from 8.00-12.00 and 14.00-17.00.

# products and services

TECHNICAL SPECIFICATION TYPE: \_\_\_\_\_

Client details: \_\_\_\_\_

Date: \_\_\_\_\_

## SELECT YOUR CONFIGURATION

### ASSEMBLING

Distribution board wired in the factory       Distribution board to be wired

### DISTRIBUTION BOARD TYPE – PROTECTION LEVEL REQUIRED

ASC                       ANS                       IP

### SERIES

PRIMA                       TER                       ULYSSE                       TAIS                       ALUPRES  
Thermoplastic                      Thermoplastic                      Thermosetting                      Thermosetting                      Aluminium alloy

### ASSEMBLY SUPPORT

Box                       Metal plate                       Thermosetting plate                       With stand

### ENTRY TO THE DISTRIBUTION BOARD

From above                       From inside                       From below

### POWER SUPPLY

Plug                       Cable

### SOCKET-OUTLET SELECTION

Poles	Voltage	16A - Quantity	32A - Quantity	63A - Quantity	125A - Quantity
2P+±	.....	<input type="checkbox"/> .....	<input type="checkbox"/> .....	<input type="checkbox"/> .....	<input type="checkbox"/> .....
3P+±	.....	<input type="checkbox"/> .....	<input type="checkbox"/> .....	<input type="checkbox"/> .....	<input type="checkbox"/> .....
3P+N+±	.....	<input type="checkbox"/> .....	<input type="checkbox"/> .....	<input type="checkbox"/> .....	<input type="checkbox"/> .....
With Fuses		<input type="checkbox"/>	<input type="checkbox"/>	<input type="checkbox"/>	<input type="checkbox"/>
With Automatic		<input type="checkbox"/>	<input type="checkbox"/>	<input type="checkbox"/>	<input type="checkbox"/>
With DIN Guide		<input type="checkbox"/>	<input type="checkbox"/>	<input type="checkbox"/>	<input type="checkbox"/>
Direct Power supply		<input type="checkbox"/>	<input type="checkbox"/>	<input type="checkbox"/>	<input type="checkbox"/>
Without interlock		<input type="checkbox"/> .....	<input type="checkbox"/> .....		
2P 144VA Transf.		<input type="checkbox"/> .....			
2P 720VA Transf.			<input type="checkbox"/> .....		

### CHOICE OF PROTECTIONS

Residual current requested                       Automatic Requested                       Miscellaneous

Indicate the type of Palazzoli product that the desired product is based on:

Code: \_\_\_\_\_

Form to be sent by Fax at n. +39 030.2015258

Or by mail to: **Palazzoli SpA** - Export Department - Via F. Palazzoli, 31 - 25128 Brescia (BS) Italy



## PRODUCT SPECIFICATIONS

<b>In compliance with standards:</b>	CEI EN 60439 - 4 CEI 17-13/4	
<b>Protection rating:</b>	IP55	
<b>Glow wire test:</b>		
<b>Self-extinguishing grade:</b>		
	GWT	Self-ext.
<b>Rotary control switch</b>	960°C	V0
<b>Socket component</b>	850°C	V2
<b>Distribution board</b>	960°C	V0
<b>Impact resistance:</b>	> IK 10	
<b>Temperature resistance:</b>	-25°C ÷ +50°C	

**Advantages:** Complete range of wired versions with different socket-outlet combinations and overload protection devices. With the empty version, you can assemble personalized distribution boards following "standard" configurations which have been tested and certified by Palazzoli. You can fill the distribution board with useful accessories that offer a wide variety of functions, such as visual/sound warning devices or the handy cord rewind.

### ASC final distribution boards for wall-mounting, socket-outlet protection with fuses

#### N. 4 SOCKET-OUTLETS - POWER SUPPLY WITH CABLE - MAIN CIRCUIT BREAKER CURVE C 6KA - 1 RCCB 30MA - SOCKET-OUTLET PROTECTION WITH FUSES

Family PA



ASC construction site distribution boards with thermoplastic interlocked sockets with fuse-holder base, TER series – IP55

Interlocked socket-outlets				Terminal block(mm <sup>2</sup> )/ Max power supply (kW)	Palazzoli Code	Pack Q.ty
2P+⊕ 16A 220V	2P+⊕ 32A 220V	3P+⊕ 16A 380V	3P+⊕ 32A 380V			
3		1		4x25/20kW	<b>504101</b>	1
2		1	1	4x25/36kW	<b>504102</b>	1
3	1			2x25/17kW	<b>504103</b>	1

**Equipment:** emergency stop device.

#### N. 5 SOCKET-OUTLETS - POWER SUPPLY WITH CABLE - MAIN CIRCUIT BREAKER CURVE C 6KA - 1 RCCB 30MA - SOCKET-OUTLET PROTECTION WITH FUSES

Family PA



ASC construction site distribution boards with thermoplastic interlocked sockets with fuse-holder base, TER series - IP55

Interlocked socket-outlets								Terminal block(mm <sup>2</sup> )/ Max power supply (kW)	Palazzoli Code	Pack Q.ty
2P+⊕ 16A	3P+N+⊕ 16A	2P+⊕ 32A	3P+N+⊕ 32A	3P+⊕ 63A	3P+N+⊕ 63A	2P 150VA 24V				
3					1			4x70/33kW	<b>505101</b>	1
2						3		2x25/6kW	<b>505102</b>	1
	4			1				3x70/50kW	<b>505103</b>	1
5								2x25/16kW	<b>505104</b>	1
			2		3			4x70/66kW	<b>505105</b>	1
2	1			1	1			4x70/63kW	<b>505106</b>	1
1	1		3					4x70/63kW	<b>505107</b>	1
2			3					4x70/50kW	<b>505108</b>	1
2	1		1		1			4x70/63kW	<b>505109</b>	1
1	2		1		1			4x70/63kW	<b>505110</b>	1
2	1		2					4x70/50kW	<b>505111</b>	1
1	2		2					4x70/50kW	<b>505112</b>	1
2	1		1		1			4x70/63kW	<b>505113</b>	1
1	2		1		1			4x70/78kW	<b>505114</b>	1
1	1				3			4x70/63kW	<b>505115</b>	1
3			2					4x25/40kW	<b>505116</b>	1
2	1	1		1				4x25/40kW	<b>505117</b>	1
2	3							4x25/33kW	<b>505118</b>	1
3				1	1			4x70/63kW	<b>505119</b>	1
2		1		1	1			4x70/63kW	<b>505120</b>	1

**Equipment:** emergency stop device. The plugs with 2P+T have a nominal tension of 220V. The plugs with 3P+T and 3P+N+T have a nominal tension of 380V.

#### N. 5 SOCKET-OUTLETS - POWER SUPPLY WITH PLUG - MAIN CIRCUIT BREAKER CURVE C 6KA - 1 RCCB 30MA - SOCKET-OUTLET PROTECTION WITH FUSES

Interlocked socket-outlets						Plug 3P+N+⊕/ Maximum available power	Palazzoli Code	Pack Q.ty
2P+⊕ 16A	3P+N+⊕ 16A	2P+⊕ 32A	3P+N+⊕ 32A	3P+⊕ 63A	3P+N+⊕ 63A			
2	2			1		63A/40kW	<b>505001</b>	1
2	1	1			1	63A/40kW	<b>505002</b>	1
1	1			3		125A/63kW	<b>505003</b>	1
2				3		125A/50kW	<b>505004</b>	1
2	1			1	1	63A/63kW	<b>505005</b>	1
1	2			1	1	125A/78kW	<b>505006</b>	1
2	1			2		125A/50kW	<b>505007</b>	1
1	2			2		125A/50kW	<b>505008</b>	1
2	1			1	1	125A/63kW	<b>505009</b>	1
1	2			1	1	125A/78kW	<b>505010</b>	1
1	1				3	125A/63kW	<b>505011</b>	1
3				2		63A/40kW	<b>505012</b>	1

**Equipment:** emergency stop device. The plugs with 2P+T have a nominal tension of 220V. The plugs with 3P+T and 3P+N+T have a nominal tension of 380V.

**note:** all boards are equipped with n.4 30mm wide tube fixing supports and with n.4 plates for fixing to the wall.



# box the range

## ASC construction site final distribution boards for wall-mounting, socket-outlet protection with miniature circuit breakers

- N. 4 SOCKET-OUTLETS - POWER SUPPLY WITH PLUG**  
 - MAIN DISCONNECTOR SWITCH CURVE C 6KA  
 - 1 RCCB 30MA - SOCKET-OUTLETS PROTECTION WITH MINIATURE CIRCUIT BREAKER

Family PA

ASC construction site distribution boards with thermoplastic interlocked socket-outlets, Prima series - IP55



2P++ 16A 220V	3P++ 16A 380V	Plug 3P+N++/ Maximum available power	Palazzoli Code	Pack Q.ty
3	1	32A/20kW	504001	1
2	2	32A/17kW	504002	1

Equipment: emergency stop device.

- N. 6 SOCKET-OUTLETS - POWER SUPPLY WITH CABLE - MAIN DISCONNECTOR SWITCH CURVE C 6KA - 1 RCCB 30MA - SOCKET-OUTLETS PROTECTION WITH MINIATURE CIRCUIT BREAKER**

Family PA

ASC construction site distribution boards with thermoplastic interlocked socket-outlets, Prima series - IP55



2P++	3P++	3P+N++	2P++	3P++	3P+N++	Terminal block (mmq)/ Max power supply (kW)	Palazzoli Code	Pack Q.ty
16A			32A					
3	2				1	4x25/37kW	506101	1
2	3				1	4x25/33kW	506102	1
3	3					4x25/25kW	506103	1
4	1				1	4x25/37kW	506104	1
4	1	1				4x25/25kW	506105	1
4	1				1	4x25/37kW	506106	1
3	1	1			1	4x25/37kW	506107	1
2	2	1			1	4x25/33kW	506108	1
3	2		1			4x25/25kW	506109	1
3	2				1	4x25/33kW	506110	1

Equipment: emergency stop device.

The plugs with 2P+T have a nominal tension of 220V.

The plugs with 3P+T and 3P+N+T have a nominal tension of 380V.

- N. 6 SOCKET-OUTLETS - POWER SUPPLY WITH PLUG - MAIN DISCONNECTOR SWITCH CURVE C 6KA - 1 RCCB 30MA - SOCKET-OUTLETS PROTECTION WITH MINIATURE CIRCUIT BREAKER**

2P++	3P++	3P+N++	2P++	3P++	3P+N++	Plug 3P+N++/ Maximum available power	Palazzoli Code	Pack Q.ty
16A			32A					
3	2				1	63A/37kW	506001	1
3	3					63A/27kW	506002	1

(continued)

note: all boards are equipped with n.4 30mm wide tube fixing supports and with n.4 plates for fixing to the wall.

2P++	3P++	3P+N++	2P++	3P++	3P+N++	Plug 3P+N++/ Maximum available power	Palazzoli Code	Pack Q.ty
16A			32A					
2	3			1		63A/33kW	506003	1
4	1			1		63A/37kW	506004	1
3		2			1	63A/33kW	506005	1
3	1	1		1		63A/33kW	506006	1
3	1	2				32A/20kW	506007	1
2	2	1		1		63A/33kW	506008	1
3	2		1			32A/20kW	506009	1
3	2				1	63A/33kW	506010	1
3	1	1			1	63A/33kW	506011	1

Equipment: emergency stop device.

The plugs with 2P+T have a nominal tension of 220V.

The plugs with 3P+T and 3P+N+T have a nominal tension of 380V.

## Empty ASC construction site final distribution board

Family PA

Empty ASC construction site distribution board for assembling wired boards with up to 6 socket-outlets



Description	Dimensions l x h x w (mm)	Palazzoli Code	Pack Q.ty
Empty board	680x605x340	501530	1

Characteristics: with one side hole PG36 and slot for CEE Series 32A, 63A or 125A plug. N. 1 front hole for emergency stop device.

## Technical accessories for ASC construction site distribution boards

Family PA

Steel ground tubular support for ASC construction site distribution boards



Description	Palazzoli Code	Pack Q.ty
Steel ground tubular support for ASC construction site distribution boards ENERGYBOX series	501540	1

Equipment: 30mm wide tube fixing supports.

Family PA

Cord rewind for ASC construction site distribution boards



Description	Palazzoli Code	Pack Q.ty
Cord rewind for ASC construction site distribution boards ENERGYBOX	501550	1

Equipment: Stainless steel screws and n.2 30mm wide tube fixing supports.



## PRODUCT SPECIFICATIONS

**In compliance with standards:** CEI EN 60439 - 4  
CEI 17-13/4

**Protection rating:** IP44 / IP55

**Glow wire test:**

**Self-extinguishing grade:**

	GWT	Self-ext.
<b>Rotary control switch</b>	960°C	V0
<b>Socket component</b>	850°C	V2
<b>Distribution board</b>	650°C	HB

**Impact resistance:** > IK 08

**Temperature resistance:** -25°C ÷ +50°C

**Advantages:** A practical range of portable distribution boards with socket-outlets, designed to be extremely safe, reliable and easy to use.

## Portable ASC distribution boards with socket-outlets

Family PA



Portable ASC distribution boards with 3 interlocked socket-outlets in thermoplastic material - IP44

Interlocked socket-outlets 16A			Plug type	Circuit breaker type	RCBO 30mA	Palazzoli Code	Pack Q.ty
2P+÷ 220V	3P+÷ 380V	2P 24V 150VA					
3			2P+÷-16A	2P-16A	2P-25A	570100	1
2	1		3P+N+÷-16A	4P-16A	4P-25A	570101	1
1	1	1				570102	1

**Equipment:** 4 m cable H 07 RN-F connected to the plug. Insulated handle for transport. Stainless steel plates for fixing to the wall.

Family PA



Portable ASC distribution boards with 3 interlocked socket-outlets in thermoplastic material - IP55

Interlocked socket-outlets 16A			Plug type	Circuit breaker type	RCBO 30mA	Palazzoli Code	Pack Q.ty
2P+÷ 220V	3P+÷ 380V	2P 24V 150VA					
3			2P+÷-16A	2P-16A	2P-25A	570120	1
2	1		3P+N+÷-16A	4P-16A	4P-25A	570121	1
1	1	1				570122	1

**Equipment:** 4 m cable H 07 RN-F connected to the plug. Insulated handle for transport. Stainless steel plates for fixing to the wall.

Family PA



Portable ASC distribution boards with 4 socket-outlets in thermoplastic material - IP55

Interlocked socket-outlets 16A		Plug type	Circuit breaker type	RCBO 30mA	Palazzoli Code	Pack Q.ty
2P+÷ 220V	3P+÷ 380V					
4		2P+÷-16A	2P-16A	2P-25A	570040	1
3	1	3P+N+÷-16A	4P-16A	4P-25A	570041	1
2	2				570042	1

**Equipment:** 4 m cable H 07 RN-F connected to the plug. Insulated handle for transport. Stainless steel plates for fixing to the wall.

Family PA

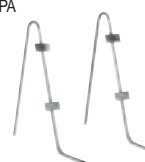


Portable ASC distribution boards with 6 socket-outlets in thermoplastic material - IP55

Interlocked socket-outlets 16A			Plug type	Circuit breaker type	RCBO 30mA	Palazzoli Code	Pack Q.ty
2P+÷ 220V	3P+÷ 380V	3P+÷ 380V					
4	2		3P+N+÷-32A	1-4P-32A	4P-40A	570060	1
3	3			1-2P-16A		570061	1
3	2	1		1-3P-16A		570062	1

**Equipment:** 4 m cable H 07 RN-F connected to the plug. Insulated handle for transport. Stainless steel plates for fixing to the wall.

Family PA



Support for portable ASC construction site distribution boards

Material	Palazzoli Code	Pack Q.ty
Stainless Steel	570000	1

**Equipment:** 4 stainless steel screws for fastening to distribution board.



## PRODUCT SPECIFICATIONS

In compliance with standards: CEI EN 60439-4 - CEI 17-13/4

Protection rating: IP65

Glow wire test: 960° C

Self-extinguishing grade: V0

Resistance to chemical agents

	Good	Excellent
Hydrocarbons		X
Mineral oils		X
Alcoholic substances		X
Weak acids	X	
Weak bases	X	

Impact resistance: > IK 10

Temperature resistance: -40°C ÷ +70°C

Advantages: Ideal for heaviest duty uses due to steel supporting structure and enclosures in reinforced thermosetting material which does not require covers, enabling maximum accessibility.

### N. 5 SOCKET-OUTLETS - MAIN CIRCUIT BREAKER IN = 63A (35KW) N. 1 RCBO 30MA

Interlocked socket-outlets					Palazzoli Code	Pack Q.ty
2P+÷ 220V	16A 3P+÷ 380V	3P+N+÷ 380V	32A 3P+÷ 380V	3P+N+÷ 380V		
2	2			1	500722	1
2	2		1		500723	1
3	1			1	500726	1
3		1		1	500727	1

### ASC final distribution boards with MT protection circuit breakers

#### N. 5 SOCKET-OUTLETS - MAIN ROT. SWITCH IN = 63A (35KW) N. 1 RCBO 30MA - MT1 TYPE

Family PA



ASC construction site distribution boards with socket-outlets, miniature circuit breaker and mechanical interlock, in thermosetting material with stand and rain cover - IP65

Interlocked socket-outlets					Palazzoli Code	Pack Q.ty
2P+÷ 220V	16A 3P+÷ 380V	3P+N+÷ 380V	32A 3P+÷ 380V	3P+N+÷ 380V		
2	2			1	500766	1
2	2		1		500767	1
2		2		1	500768	1
3	1			1	500770	1

#### N. 6 SOCKET-OUTLETS - MAIN ROT. SWITCH IN = 63A (35KW) N. 1 RCBO 30MA - MT1 TYPE

Interlocked socket-outlets					Palazzoli Code	Pack Q.ty
2P+÷ 220V	16A 3P+÷ 380V	3P+÷ 380V	32A 3P+N+÷ 380V	16A 2P 24V 250VA		
2	2		1	1	500750	1
3	1	1		1	500753	1
4	2				500762	1

#### N. 6 SOCKET-OUTLETS - MAIN ROT. SWITCH IN = 100A (50KW) N. 2 RCBO 30MA - MT2 TYPE

Interlocked socket-outlets					Palazzoli Code	Pack Q.ty
2P+÷ 220V	16A 3P+÷ 380V	3P+÷ 380V	32A 3P+N+÷ 380V			
2	2			2	500816	1
2	2		2		500817	1

### ASC final distribution boards for wall-mounting

#### N. 3 SOCKET-OUTLETS - MAIN CIRCUIT BREAKER IN = 40A (22KW) N. 1 RCBO 30MA

Family PA



ASC construction site distribution boards with socket-outlets, circuit breaker and mechanical interlock, in thermosetting material for wall-mounting - IP65

Interlocked socket-outlets			Palazzoli Code	Pack Q.ty
2P+÷ 220V	16A 3P+÷ 380V	3P+N+÷ 380V		
2		1	500700	1
2		1	500701	1

#### N. 3 SOCKET-OUTLETS - MAIN CIRCUIT BREAKER IN = 63A (35KW) N. 1 RCBO 30MA

Interlocked socket-outlets				Palazzoli Code	Pack Q.ty
2P+÷ 220V	16A 3P+÷ 380V	32A 3P+÷ 380V	3P+N+÷ 380V		
1			1	500711	1
2			1	500714	1

**N. 7 SOCKET-OUTLETS - MAIN ROT. SWITCH IN = 100A (50KW)  
N. 2 RCBO 30MA - MT2 TYPE**

Family PA



ASC construction site distribution boards with socket-outlets, circuit breaker and mechanical interlock, in thermosetting material with stand and rain cover - IP65

Interlocked socket-outlets						Palazzoli Code	Pack Q.ty
16A		32A		63A	16A		
2P+± 220V	3P+± 380V	3P+± 380V	3P+N+± 380V	3P+N+± 380V	2P 24V 250VA		
2		2	2		1	500790	1
2		4			1	500792	1
2	2	2			1	500800	1
2	2		3			500801	1
2	2	3				500802	1
2	2		2	1		500843	1

**N. 8 SOCKET-OUTLETS - MAIN ROT. SWITCH IN = 200A (100KW)  
N. 3 RCBO 30MA - MT3 TYPE**

Interlocked socket-outlets						Palazzoli Code	Pack Q.ty
16A		32A		63A	16A		
2P+± 220V	3P+± 380V	3P+± 380V	3P+N+± 380V	3P+N+± 380V	2P 24V 250VA		
2	2		2	1	1	500840	1
2	2	2		1	1	500841	1

**N. 9 SOCKET-OUTLETS - MAIN ROT. SWITCH IN = 200A (100KW)  
N. 3 RCBO 30MA - MT3 TYPE**

Interlocked socket-outlets						Palazzoli Code	Pack Q.ty	
16A		32A		63A	16A			
2P+± 220V	3P+± 380V	3P+± 380V	3P+N+± 380V	3P+± 380V	3P+N+± 380V	2P 24V 250VA		
2	2		2		1	2	500830	1
2	2	2			1	2	500831	1
3	3		2		1		500833	1
3	3	2		1			500835	1

**ASC final distribution boards with FS protection fuses**

**N. 5 SOCKET-OUTLETS - MAIN ROT. SWITCH WITH FUSES IN = 63A (35KW)  
N. 1 63A RCBO 30MA - FS1 TYPE**

Family PA



ASC construction site distribution boards with interlocked socket-outlets and fuse holder base, in thermosetting material with stand and rain-cover - IP65

Interlocked socket-outlets				Palazzoli Code	Pack Q.ty
16A		32A			
2P+± 220V	3P+± 380V	3P+± 380V	3P+N+± 380V		
2	2	1		500860	1
2	2		1	500861	1
3	1	1		500863	1
2	3			500872	1
3	2			500874	1

**N. 6 SOCKET-OUTLETS - MAIN ROT. SWITCH WITH FUSES IN = 100A (50KW)  
N. 3 63A RCBO 30MA - FS2 TYPE**

Interlocked socket-outlets			Palazzoli Code	Pack Q.ty
16A	63A	16A		
2P+± 220V	3P+± 380V	2P 24V 144VA		
2	2	2	500918	1

**N. 8 SOCKET-OUTLETS - MAIN ROT. SWITCH WITH FUSES IN = 100A (50KW)  
N. 2 63A RCBO 30MA - FS2 TYPE**

Interlocked socket-outlets				Palazzoli Code	Pack Q.ty	
16A		32A				
2P+± 220V	3P+± 380V	3P+± 380V	3P+N+± 380V	16A 2P 24V 144VA		
2	2	2		2	500900	1
3	2	2		1	500903	1
3	2		2	1	500904	1
3	3		2		500916	1

# the range

## N. 9 SOCKET-OUTLETS - MAIN ROT. SWITCH WITH FUSES IN = 200A (100KW) N. 4 63A RCBO 30MA - FS3 TYPE

Family PA



ASC construction site distribution boards with interlocked socket-outlets and fuse-holder base, in thermosetting material with stand and rain cover - IP65

Interlocked socket-outlets				Palazzoli Code	Pack Q.ty
16A 2P+± 220V	3P+± 380V	32A 3P+N+± 380V	63A 3P+N+± 380V		
3	3	2	1	500949	1

## N. 10 SOCKET-OUTLETS - MAIN ROT. SWITCH WITH FUSES IN = 200A (100KW) N. 4 63A RCBO 30MA - FS3 TYPE

Interlocked socket-outlets						Palazzoli Code	Pack Q.ty
16A 2P+± 220V	3P+± 380V	32A 3P+± 380V	32A 3P+N+± 380V	63A 3P+± 380V	63A 3P+N+± 380V		
4	2	2		1		500941	1
4	2		2		1	500943	1

## N. 11 SOCKET-OUTLETS - MAIN ROT. SWITCH WITH FUSES IN = 200A (100KW) N. 4 63A RCBO 30MA - FS3 TYPE

Interlocked socket-outlets							Palazzoli Code	Pack Q.ty
16A 2P+± 220V	3P+± 380V	32A 3P+N+± 380V	32A 3P+± 380V	32A 3P+N+± 380V	63A 3P+± 380V	63A 3P+N+± 380V		
4	2		2		1		500930	1
4	4		2		1		500933	1
4	4			2		1	500934	1
4	4		2			1	500935	1
4	2	2		2		1	500936	1

## Components for making ASC final distribution boards type MT and FS

Family PA



Watertight junction enclosures with terminal block and rain cover for fixing to the stand, for installing sets of distribution boards - IP65

For boards type	External dimensions b x h (mm)	Terminals	Entries		Palazzoli Code	Pack N° pz.
			N°	Type		
MT1/FS1	185x185	4x25mm <sup>2</sup>	3	Pg36	500601	1
MT2/FS2	250x250	4x70mm <sup>2</sup>		Pg42	500602	1
MT3/FS3	370x500	4x200mm <sup>2</sup>		Pg48	500603	1

Equipment:

with rain cover, cable glands and terminal block.

Family PA



Frame stand with plate and rain cover in AISI 304 stainless steel

Type	External dimensions b x h (mm)	Weight (kg)	Palazzoli Code	Pack N° pz.
FS1	803x1335x565	38	501500	1
MT1	1118x1335x565	58	501501	1
MT2/FS2	1313x1335x565	51	501502	1
MT3/FS3	1853x1685x748	93	501503	1

# ASC construction site distribution boards

Technical data  
Energybox Series  
TER Series TAIS Series

Reference standards

Technical sheet

## AS and ANS distribution boards

CEI EN 60439-1 CEI 17-13/1

## ASC distribution boards

CEI EN 60439-4 CEI 17-13/4

### GENERAL CHARACTERISTICS:

- ASC construction site distribution boards by Palazzoli have been designed and produced mainly for use "on construction sites, in other words, in provisional working areas for building, installation, repairs, alterations, demolition, civil engineering (public works), excavations and other similar operations";
- ASC construction site distribution boards by PALAZZOLI come in three main groups:
  - 1. portable wall-mounting distribution boards with a structure in thermosetting technopolymer on a metal frame;**
  - 2. portable distribution boards on a stand, with a structure in thermosetting technopolymer on a metal frame and stand;**
  - 3. portable socket-outlet distribution boards with a structure in thermoplastic technopolymer;**
- all the Palazzoli ASC distribution boards come with an individually named Declaration of Conformity, an electrical functional diagram, instructions for use, and an individually named testing certificate.

### SPECIFIC CHARACTERISTICS DISTRIBUTION BOARDS IN BOX:

- supply: 3P+N+= 220V/380V 50-60Hz with cable or plugs;
- internal protection circuit (earth), and connecting terminal bolted both internally and externally;
- RCBO protection: In = 30 mA class A;
- outlet sockets TER series: IEC 309 interlocked type, with rotary switch and fuse-older base;
- outlet sockets PRIMA series: IEC 309 interlocked type, with rotary switch;
- enclosures and housings of equipment in twin-component technopolymer;
- mushroom head emergency push-button, red on a yellow background;
- with double insulation, IP55 protection ratings.

### SPECIFIC CHARACTERISTICS OF WALL-MOUNTING PORTABLE DISTRIBUTION BOARDS:

- supply: 3P+N+= 220V/380V 50-60Hz;
- internal protection circuit (earth), and connecting terminal bolted both internally and externally;
- RCBO protection: In = 30 mA class A;
- outlet sockets: CEI 23-12 interlocked type, with miniature circuit breaker;
- enclosures and housings of equipment in thermosetting technopolymer;
- mushroom head emergency push-button, red on a yellow background, with shunt trip control and with a neon light to signal the functioning of the control circuit and "power on";
- the equipment and enclosures are attached to a painted, thick steel base plate by stainless steel screws;
- the contemporaneity factor, even in the heaviest load combinations, is in compliance with standards CEI EN 60439-4 (CEI 17-13/4);
- IP65 protection rating.

### SPECIFIC CHARACTERISTICS OF PORTABLE DISTRIBUTION BOARDS ON STANDS:

- supply: 3P+N+= 220V/380V 50-60Hz;
- internal protection circuit (earth), and connecting terminal bolted both internally and externally;
- RCBO protection: In = 30 mA class A;
- outlet sockets: CEI 23-12 interlocked type (with miniature circuit breaker or with manual rotary control switch and fuses) and CEI 23-12 type with safety transformer;
- manual input switch: without fuses for distribution boards of interlocked socket-outlets with miniature circuit breaker, with fuse for distribution boards of interlocked socket-outlets with fuses;
- enclosures and housings of the devices in thermosetting technopolymer;
- light signalling "power on";
- mushroom head emergency push-button, red on a yellow background, with shunt trip control and with a neon light to signal the functioning of the control circuit;
- equipment and enclosures attached to stand with rain cover in painted, thick steel tube and plate by stainless steel screws;
- possibility of attaching a special junction enclosure to the rear of the stand, to be ordered separately;
- very strong stand, suitable for moving both by earth moving equipment and with lifting equipment. The lower cross bars make it possible to stabilise the stand on the ground with counterweights;
- the contemporaneity factor, even in the heaviest load combinations, is in compliance with standards CEI EN 60439-4 (CEI 17-13/4);
- IP65 protection rating.

### SPECIFIC CHARACTERISTICS OF PORTABLE DISTRIBUTION BOARDS WITH SOCKET-OUTLETS:

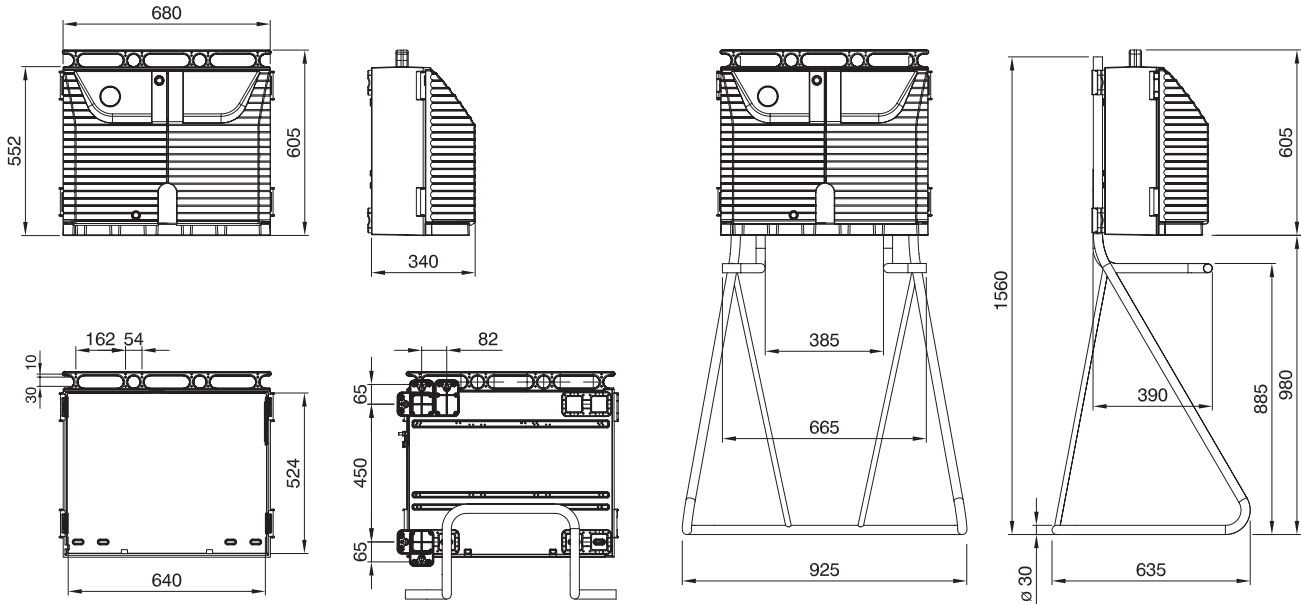
- supply: 2P+= 220V or 3P+N+= 220/380V 50-60Hz;
- input connection by means of socket-outlet CEI 23-12, with 4 m insulated rubber cable under chloroprene resin sheath type H07RN-F;
- RCBO protection: In = 30 mA class AC;
- TER series socket-outlets: CEI 23-12 interlocked type, with safety transformer or non-interlocked type;
- general miniature circuit breaker switch, with emergency function;
- enclosures in thermoplastic technopolymer, TER series, with carrying handle and plates for wall fixing using stainless steel screws;
- transparent opening for inspecting and handling the protection devices, equipped with lock and key;
- with double insulation, at IP44 and IP55 protection ratings.

### CHARACTERISTICS OF THE ENCLOSURE:

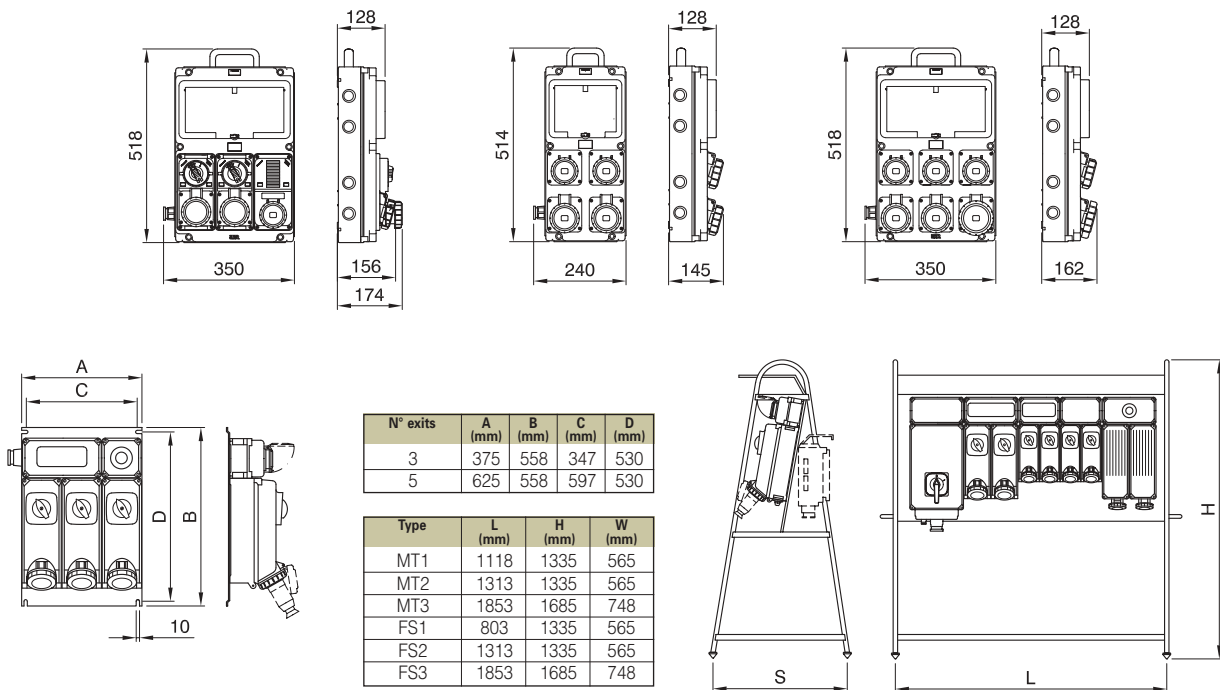
- impact resistance: 6J/20J
- temperature resistance: -25°C ÷ +50°C and -40°C ÷ +70°C
- resistance to excess heat, and fire: GWT 650°C (850°C socket-outlets) and GWT 960°C

# Dimensional

## ENERGYBOX SERIES



## TER AND TAIS SERIES



N° exits	A (mm)	B (mm)	C (mm)	D (mm)
3	375	558	347	530
5	625	558	597	530

Type	L (mm)	H (mm)	W (mm)
MT1	1118	1335	565
MT2	1313	1335	565
MT3	1853	1685	748
FS1	803	1335	565
FS2	1313	1335	565
FS3	1853	1685	748

# the system

## serie **energy box**

From 4 to 6 TER or Prima socket-outlets-IP55



## serie **ter**

From 3 to 6 socket-outlets - IP44 and IP55



**Portable or wall mounting  
ASC  
distribution board for  
constriction sites**

## serie **tais**

Up to 5 socket-outlets on plate - IP55  
Customised board



## serie **tais**

Up to 11 socket-outlets on stand - IP65



## special products

## ASC composer

Design and quotation software for  
construction site distribution boards

[export@palazzoli.it](mailto:export@palazzoli.it)  
[www.palazzoli.com](http://www.palazzoli.com)



**FPB Palazzoli**



**Palazzoli S.p.A.**

Via F. Palazzoli, 31 - 25128 Brescia, Italy

Tel. +39 030 2015.1 - Fax +39 030 2015.258