

# ALUMAX

High Amperage Power Solutions



# ALUMAX: The technique

As an historic leader in heavy duty designing of low voltage industrial power sockets, PALAZZOLI has enlarged its offer by developing the ALUMAX range of power sockets with plugs for special applications that require high amperage of 250Amp up to 630Amp solutions.



ALUMAX features the latest developments for this type of products which are ideal for heavy duty conditions even in extreme environments, typical of marine ports, mines, power plants and road or railway tunnels.

CONNECTIONS DATASHEET	
Material:	Aluminium alloy with anticorrosion treatment
Colour:	Natural
Protection rating:	IP67
Impact resistance:	IK10
Working temperature:	-30°C ÷ + 60°C
Insulation class:	I
Pilot contacts:	2
Pilot contacts section:	6mm <sup>2</sup> ÷ 10mm <sup>2</sup>
Cable entrance diameter:	62mm (250A) 80mm (320A - 400A)
Type of connection (*):	Screw type for 50mm <sup>2</sup> ÷ 70mm <sup>2</sup> wires  Crimping type for 120mm <sup>2</sup> wire (320A) for 150mm <sup>2</sup> wire (400A)

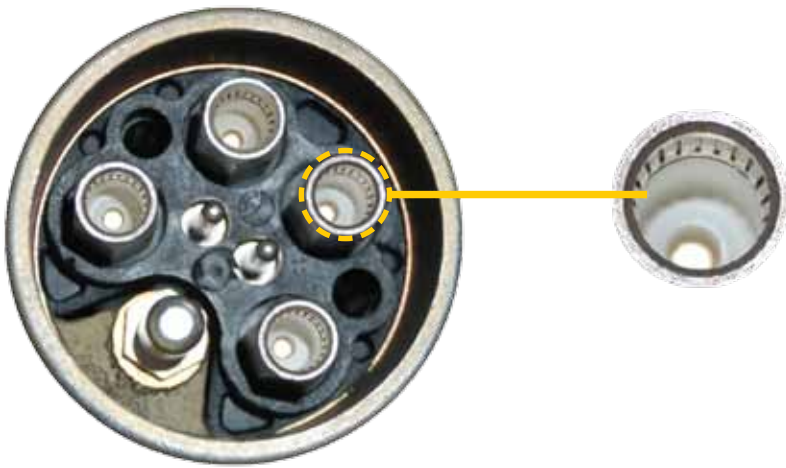
INTERLOCKED SOCKETS DATASHEET	
Material:	Painted steel
Colour:	Grey RAL 7035 (enclosure)  Blue RAL 5012 (front plate)
Protection rating:	IP65
Impact resistance:	IK10
Working temperature:	-30°C ÷ + 60°C
Insulation class:	I
Handle lockability:	In 0 and I position
Cable entrance:	Customizable flange
MCCB Icu	36kA

(\*): Different type of connections available on request.

# ALUMAX: The features

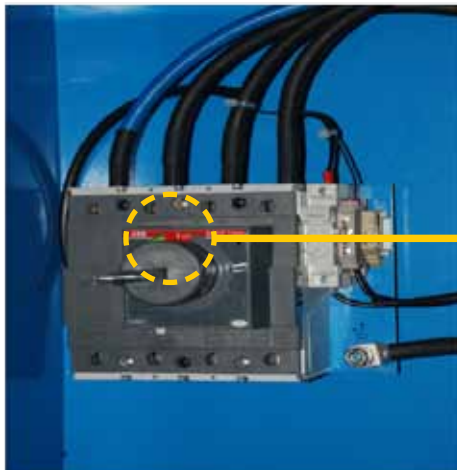
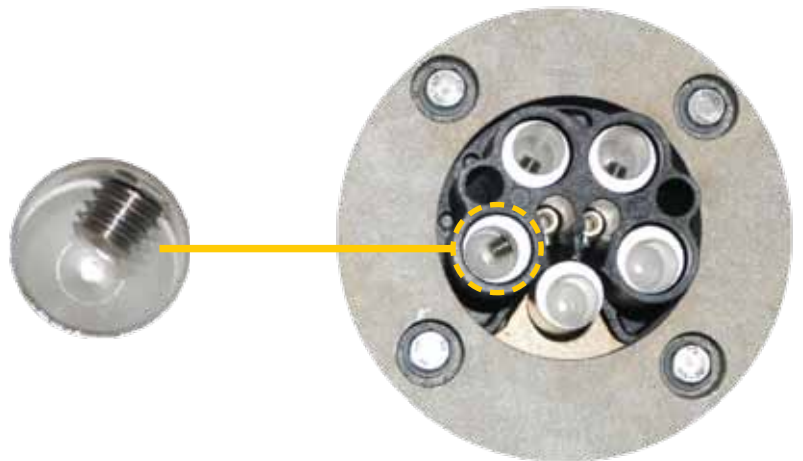


The ALUMAX range is designed with particular care to all details that favour a practical and easy functioning. PALAZZOLI's extensive experience in product customization has allowed to develop a product that will flexible adapt to a variety of applications.



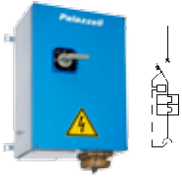
The particular shape of the plug and receptacle allow easy coupling which is also facilitated by the multi-lamellar Easy Contact technology.

Standard 250Amp versions are equipped with screw type terminals that grant maximum versatility.



The electrically interlocked socket is a very good feature when operating under load.

# ALUMAX: The range



**Interlocked wall socket**  
in painted steel  
with MCCB protection  
50-60Hz **IP65**

Rated current (A)	Rated voltage (V)	Poles	Pilot contacts (mm <sup>2</sup> )	Palazzoli code	Pack Q.ty
250	400	3P+E	2x10	<b>480530</b>	1
		3P+N+E	2x6	<b>480550</b>	1
	500	3P+E	2x10	<b>480531</b>	1
		3P+N+E	2x6	<b>480551</b>	1
320	400	3P+N+E	2x6	<b>480650</b>	1
	500	3P+N+E	2x6	<b>480651</b>	1
400	400	3P+N+E	2x6	<b>480750</b>	1
	500	3P+N+E	2x6	<b>480751</b>	1



**Panel inlet**  
in aluminium alloy  
with anticorrosion treatment  
**IP67**

Rated current (A)	Poles	Pilot contacts (mm <sup>2</sup> )	Palazzoli code	Pack Q.ty
250	3P+E	2x10	<b>751530</b>	1
	3P+N+E	2x6	<b>751550</b>	1



**Plug**  
in aluminium alloy  
with anticorrosion treatment  
**IP67**

Rated current (A)	Poles	Pilot contacts (mm <sup>2</sup> )	Palazzoli code	Pack Q.ty
250	3P+E	2x10	<b>750530</b>	1
	3P+N+E	2x6	<b>750550</b>	1
320	3P+N+E	2x6	<b>750650</b>	1
400	3P+N+E	2x6	<b>750750</b>	1



**Panel socket**  
in aluminium alloy  
with anticorrosion treatment  
**IP67**

Rated current (A)	Poles	Pilot contacts (mm <sup>2</sup> )	Palazzoli code	Pack Q.ty
250	3P+E	2x10	<b>761530</b>	1
	3P+N+E	2x6	<b>761550</b>	1

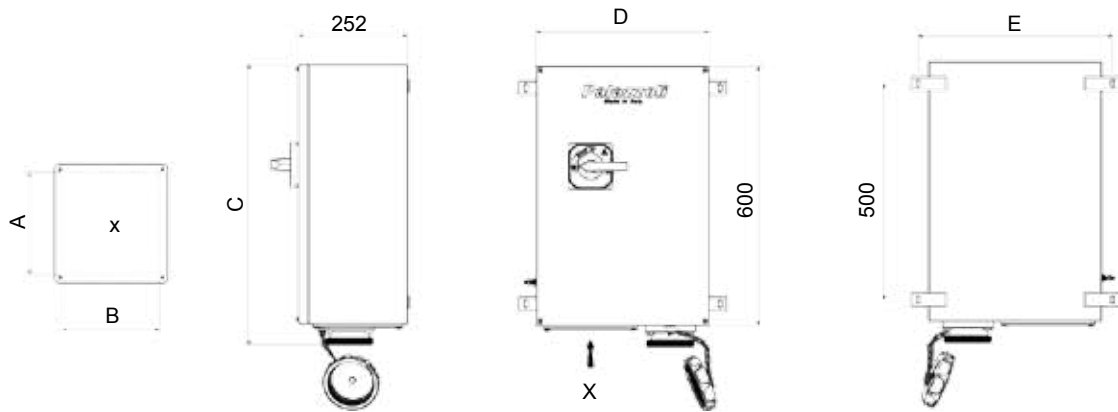


**Connector**  
in aluminium alloy  
with anticorrosion treatment  
**IP67**

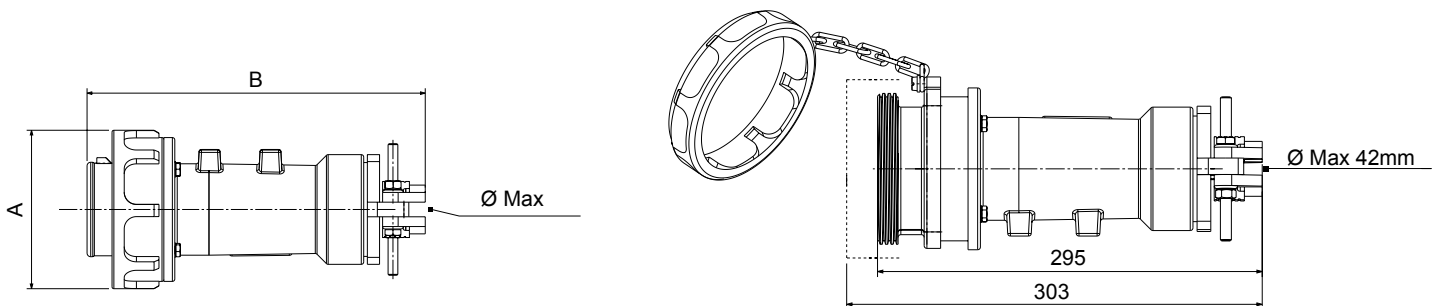
Rated current (A)	Poles	Pilot contacts (mm <sup>2</sup> )	Palazzoli code	Pack Q.ty
250	3P+E	2x10	<b>760530</b>	1
	3P+N+E	2x6	<b>760550</b>	1

Heavy duty products up to 630Amp are designed by PALAZZOLI's Technical Dept on customer specifications to meet any special requirement.

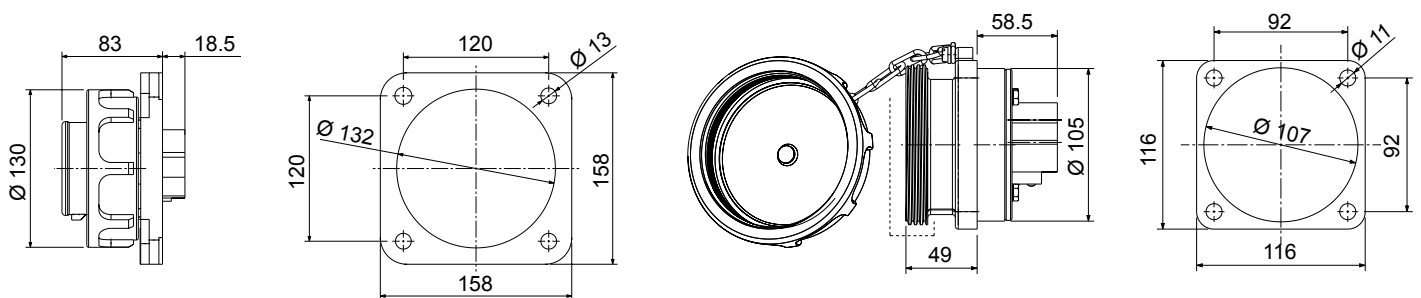
# ALUMAX: The dimensions



Rated current (A)	A (mm)	B (mm)	C (mm)	D (mm)	E (mm)
250	180	190	650	400	450
320/400	180	270	660	500	550



Rated current (A)	A (mm)	B (mm)	Ø Max entry cable (mm)
250	130	287,5	42
320/400	155	378	62





# ALUPRES: The technique

Alupres is the first Palazzoli series in aluminium alloy which offers a system of junction boxes, control devices and industrial interlocked sockets from 16A up to 125A in compliance with IEC309 standard.



The 250A socket with aligned poles, mechanical interlock and fuse protection presented in this document is the solution for high amperage connections inside the Alupres range.

## INTERLOCKED SOCKETS DATASHEET

Material:	Die cast light aluminium alloy
Colour:	Grey RAL 7035 (enclosure) Blue RAL 5012 (front plate)
Protection rating:	IP55
Impact resistance:	IK10
Switch category:	AC3 AC23A rated current
Working temperature:	-25°C ÷ +50°C
Insulation class:	I
Handle lockability:	In 0 and I position
Cable entrance:	Customizable flange
Fuses:	ACR GR1

# ALUPRES: The range

F5 entry



**Interlocked wall socket**  
in aluminium alloy  
with aligned poles  
and fuse-holder base  
50-60Hz **IP55**



**Plug**  
in aluminium alloy  
with aligned pins  
50-60Hz **IP55**

Rated current (A)	Rated voltage (V)	Poles	Enclosure Dimensions (mm)	Palazzoli code	Pack Q.ty
250	500	3P+E	315x507	<b>422039</b>	1

Rated current (A)	Rated voltage (V)	Poles	Palazzoli code	Pack Q.ty
250	500	3P+E	<b>427019</b>	1



**Raised closing flanges**  
in aluminium alloy  
for enclosures with  
windowed walls **IP67**

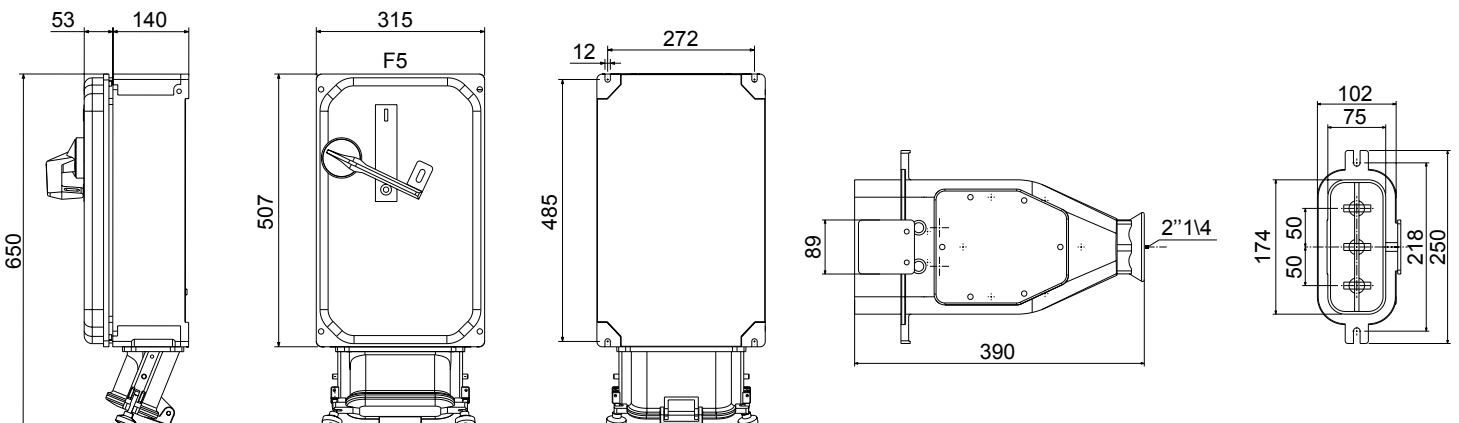


**ACR fuses**  
with high breaking capacity  
**500V**

For windows	Overhang (mm)	Palazzoli code	Pack Q.ty
F5	80	<b>540065</b>	1

Rated current (A)	Fuse-holder base	Palazzoli code	Pack Q.ty
250	GR.1	<b>339150</b>	3

## ALUPRES: The dimensions



# ALUMAX

High Amperage Power Solutions

**MINES**



**HANGARS**



**MARINE PORTS**



**RAILWAYS**



**TUNNELS**



**OFFSHORE**



**Palazzoli S.p.A.**

Via F. Palazzoli, 31 - 25128 Brescia - Italy

Tel. +39 030 2015.1 - Fax +39 030 2015.258

[www.palazzoli.com](http://www.palazzoli.com) - [export@palazzoli.com](mailto:export@palazzoli.com)

