

ATYS & SIRCOVER

Transfer Switch Equipment for your power availability

UL 1008 & UL 98

2014
2015





ATyS UL 1008

Motorized changeover switches from 100 to 400 A

Changeover
switches



atys-ul007_a_1_cat

Function

ATyS non-automatic transfer switches are designed for use in total system optional standby applications for the safe transfer between a normal and an alternate power source.

The changeover is done in open transition and with minimum supply interruption during transfer ensuring full compliance with UL 1008 and IEC 60947-6-1. The ATyS is a full load break disconnect where the main components are based on proven technology also fulfilling requirements in UL 98 and IEC 60947-3 standards.

Advantages

Robust and Reliable design

ATyS is a remotely operated transfer switch tested in full compliance with UL 1008. The design integrates a failsafe mechanical interlock to ensure that the main source is never inadvertently connected to the alternate. The stable position design ensures that the switch is unaffected by vibration or network voltage perturbation. The ATyS also includes a removable handle for emergency manual operation. This is extremely safe and easy to use.

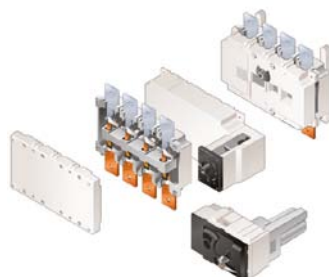
Maintenance free

The self-cleaning contacts of the ATyS allow the power section to be maintenance free. For safe downstream maintenance the ATyS includes a facility for isolation and padlocking in the zero position.

In the unlikely event of a motorization failure, the ATyS is designed in a way that the motorization can be replaced easily and very quickly. Furthermore, the ATyS remains manually operational with or without the motorization in place.

Compatible with virtually any ATS controls

The ATyS is directly compatible with virtually any transfer switching control solution that provides volt free contacts. This allows the ATyS to be combined with most ATS controls available on the market and then used in automatic transfer switch applications.



atys_298_b

The solution for

- > Commercial
- > Light Industry
- > Residential applications



Strong points

- > Robust and reliable design
- > Compatible with virtually any ATS controls
- > On-load manual operation
- > Maintenance free

Conformity to standards

- > UL 1008, Guide WPYV, file 317092



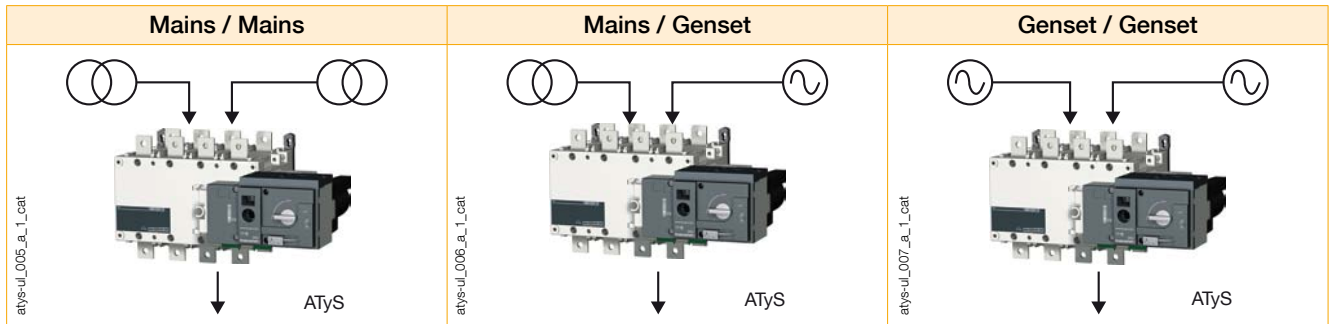
Product reference on request.

Your choice of ATS controls

- > Your preferred brand of ATS controller, genset/AMF controller or power/building management system, may easily be paired with the ATyS to provide a complete automatic transfer switch that perfectly suits your needs.

Typical applications

The ATyS UL 1008 range provides safe transfer for mains/mains, mains/genset and genset/genset applications.

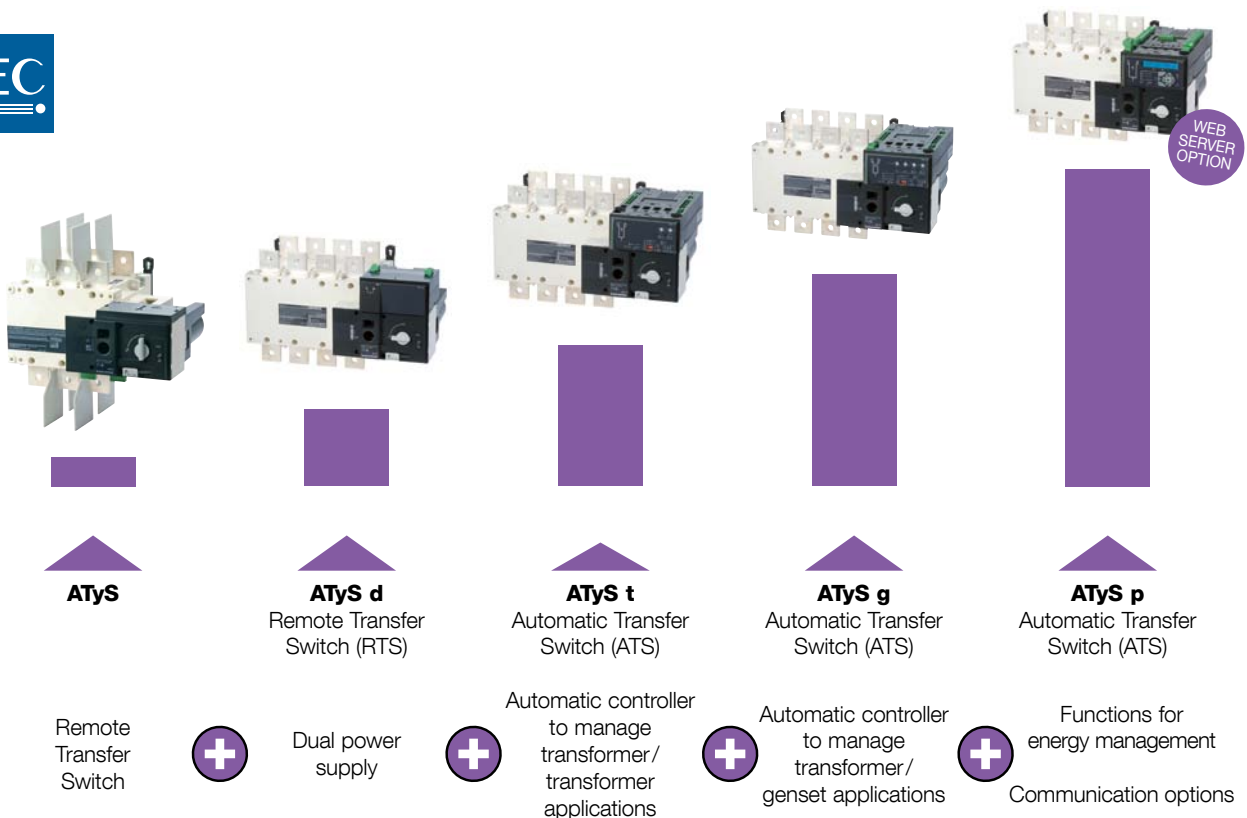


Part of a globally recognized range

The ATyS UL 1008 is part of a large family of products including a complete range of remotely operated and fully automatic transfer switches that comply to IEC and GB standards.

The ATyS range is a world renowned product family trusted by some of the largest manufacturers in the genset industry.

The key to success has been through reliable power availability provided by products that are safe and easy to use.



Please don't hesitate to contact SOCOMEC for any questions concerning the IEC ATyS range of products above rated from 125 to 3200 A.

ATyS UL 1008

Motorized changeover switches

from 100 to 400 A

References

Rating (A)	No. of poles	ATyS	Bridging bars	Terminal screens	Auxiliary contact	Lug kits
100 A	2 P	9723 2010	2 P 4159 2021 3 P 4159 3021 4 P 4159 4021	2/3 P 4158 3021 4 P 4158 4021	NO / NC 4159 0021 Low level 4159 0022	2 P 3954 2020 ⁽¹⁾ 3 P 3954 3020 ⁽¹⁾ 4 P 3954 4020 ⁽¹⁾
	3 P	9723 3010				
	4 P	9723 4010				
200 A	2 P	9723 2020	2 P 4159 2041 3 P 4159 3041 4 P 4159 4041	2/3 P 4158 3021 4 P 4158 4021		2 P 3954 2040 ⁽²⁾ 3 P 3954 3040 ⁽²⁾ 4 P 3954 4040 ⁽²⁾
	3 P	9723 3020				
	4 P	9723 4020				
260 A	2 P	9723 2026	2 P 4159 2041 3 P 4159 3041 4 P 4159 4041	2/3 P 4158 3021 4 P 4158 4021	2 P 3954 2040 ⁽²⁾ 3 P 3954 3040 ⁽²⁾ 4 P 3954 4040 ⁽²⁾	
	3 P	9723 3026				
	4 P	9723 4026				
400 A	2 P	9723 2040	2 P 4159 2041 3 P 4159 3041 4 P 4159 4041	2/3 P 4158 3021 4 P 4158 4021	2 P 3954 2040 ⁽²⁾ 3 P 3954 3040 ⁽²⁾ 4 P 3954 4040 ⁽²⁾	
	3 P	9723 3040				
	4 P	9723 4040				

(1) 1x #6-300MCM.

(2) 1x #6-600MCM.

Accessories

Terminal screens

Use

Top and bottom protection against direct contact with terminals or connection parts.

For upstream and downstream protection, order the reference once.

Rating (A)	No. of poles	Position	Reference
100 ... 200	2/3 P	top / bottom	4158 3021
100 ... 200	4 P	top / bottom	4158 4021
260 ... 400	2/3 P	top / bottom	4158 3041
260 ... 400	4 P	top / bottom	4158 4041



access_207_a_2_cat

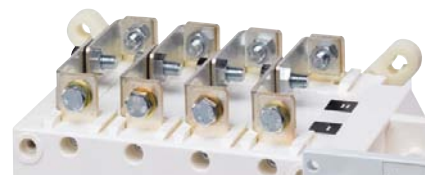
Bridging bars

Use

For bridging power terminals on the top or bottom side of the switch.

When ordering one reference is required per switch.

Rating (A)	No. bridging bar	Reference
100 ... 200	2	4159 2021
100 ... 200	3	4159 3021
100 ... 200	4	4159 4021
260 ... 400	2	4159 2041
260 ... 400	3	4159 3041
260 ... 400	4	4159 4041



4159 4021

access_205_a_2_cat

Accessories (continued)

Auxiliary contacts (additional)

Use

Pre breaking and signalling of positions I and II: Each reference provides a single NO/NC contact.

(Note : The motorization includes 3 x NO position auxiliary contacts as standard)



access_065_a_1_cat

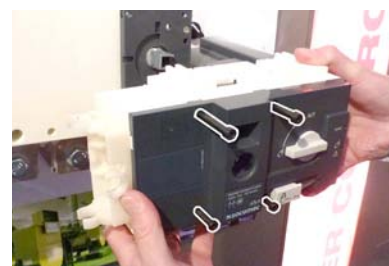
Rating (A)	Designation	Reference
100 ... 400	NO / NC	4159 0021
100 ... 400	Low level NO / NC	4159 0022

A maximum of 2 Aux contacts per position may be added.

Spares

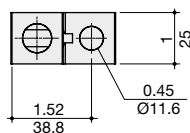
Motorization module

Used for ATyS reference			Ref. Spare part motorization	
100 A	2, 3, 4 P	B4	9723 2010 / 9723 3010 / 9723 4010	9709 5010
200 A	2, 3, 4 P		9723 2020 / 9723 3020 / 9723 4020	9709 5020
260 A	2, 3, 4 P	B5	9723 2026 / 9723 3026 / 9723 4026	9709 5026
400 A	2, 3, 4 P		9723 2040 / 9723 3040 / 9723 4040	9709 5040

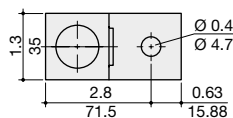


Terminals lugs (in/mm)

ATyS from 100 to 200 A



ATyS from 260 to 400 A



siroco_115_b_1_us_cat

siroco-ul_010_a_1_us_cat

Mounting orientation

ATyS 100 to 400 A

Recommended	OK	Not Allowed	Not Allowed

ATyS UL 1008

Motorized changeover switches

from 100 to 400 A

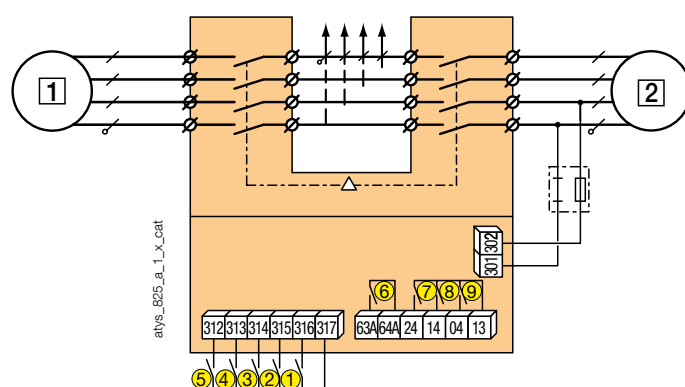
Characteristics according to UL 1008 (Optional standby)

100 to 400 A

Frame	B4		B5	
General use rating	100 A	200 A	260 A	400 A
Operation voltage	600	600	600	600
Short circuit rating with ANY CIRCUIT BREAKER (kA/ms)	10 / 25	10 / 25	14 / 50	14 / 50
Short circuit rating at 600 VAC (kA) ⁽¹⁾	100	100	65	65
Type of fuse ⁽¹⁾	J	J	J	J
Max. fuse rating (A) ⁽¹⁾	100	200	260	400
Operational power / current max Operational 1 ph				
240 VAC Total system (A)	100	100	260	400
240 VAC Resistive load (A)	100	200	260	400
Operational power / current max Operational 3 ph				
240 VAC Total system (A)	100	200	260	400
240 VAC Resistive load (A)	100	200	260	400
480 VAC Total system (A)	100	100	260	400
480 VAC Resistive load (A)	100	200	260	400
600 VAC Total system (A)	100	100	200	200
600 VAC Resistive load (A)	100	200	260	400
Mechanical endurance				
Endurance (number of operating cycles)	6050	6050	6050	6050
Connection terminals				
Min. connection section / AWG	#6	#6	#4 / 2 x 1/0	#4 / 2 x 1/0
Max. connection section / AWG	300MCM	300MCM	600MCM / 2x 350MCM	600MCM / 2x 350MCM
Aux Power Supply				
Supply voltage VAC 50/60 Hz	208-277 VAC			
Switching time				
I to II or II to I (s)	1.3			
I to 0 or 0 to II (s)	0.85			
Duration of electrical blackout (s)	0.6			

(1) Note: Short circuit data given above with fuses is for general info only. These tests are currently pending UL 1008 certification.

Terminals and connections



1 preferred source (transformer or generator)

2 alternate source (transformer or generator)

1: position 0 control (contactor logic if closed)

2: position I control

3: position II control

4: position 0 priority control

5: closure of this contact enables the position control orders

6: product availability relay

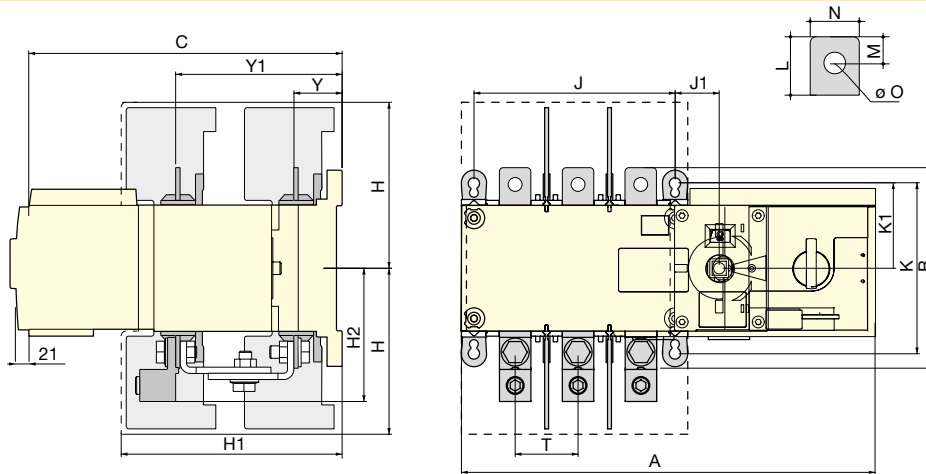
7: auxiliary contact, closed when the switch is in position II

8: auxiliary contact, closed when the switch is in position I

9: auxiliary contact, closed when the switch is in position 0

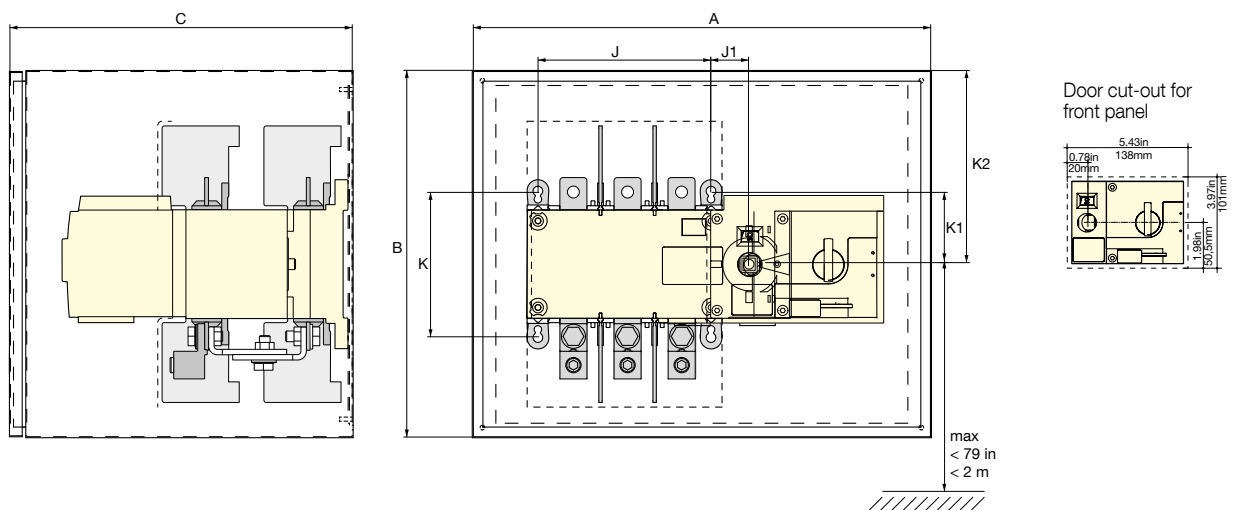
Dimensions (in/mm)

100 to 400 A



Rating	Reference		A		B		C		D		H		H1		H2		Y		Y1	
			in	mm	in	mm	in	mm	in	mm	in	mm	in	mm	in	mm	in	mm	in	mm
100 - 200 A	9723 2010 / 9723 3010	2/3P	14.88	378	6.30	160	9.60	244	1.97	50	5.08	129	6.93	176	4.21	107	1.51	38,5	5.21	132,5
	9723 2020 / 9723 3020																			
	9723 4010 / 9723 4020	4P	12.91	328																
260 - 400 A	9723 2026 / 9723 3026	2/3P	14.84	377	10.23	260	12.62	320,5	2.56	65	8	203	6.51	165,5	6.53	166	2.04	52	7.48	190
	9723 2040 / 9723 3040																			
	9723 4026 / 9723 4040	4P	17.20	437																

Rating	Ref. code		J		J1		K		K1		L		M		N		O		T	
			in	mm	in	mm	in	mm	in	mm	in	mm	in	mm	in	mm	in	mm	in	mm
100 - 200A	9723 2010 / 9723 3010	2/3P	6.30	160	1.37	35	7.67	195	2.65	67,5	1.18	30	0.53	13,3	0.98	25	0.43	11	1.42	36
	9723 2020 / 9723 3020																			
	9723 4010 / 9723 4020	4P	8.26	210																
260 - 400A	9723 2026 / 9723 3026	2/3P	8.26	210	1.37	35	7.67	195	3.84	97,5	1.96	50	0.49	20	1.38	45	0.51	13	1.97	50
	9723 2040 / 9723 3040																			
	9723 4026 / 9723 4040	4P	10.63	270																



Rating	Ref. code		A		B		C		J		J1		K		K1		K2	
			in	mm	in	mm	in	mm	in	mm	in	mm	in	mm	in	mm	in	mm
100 - 200 A	9723 2010 / 9723 3010	2/3P	24	610	24	610	12	305	6.30	160	1.37	35	5.31	135	2.67	68	12	305
	9723 2020 / 9723 3020																	
	9723 4010 / 9723 4020	4P	8.26	210														
260 - 400 A	9723 2026 / 9723 3026	2/3P	32	813	32	813	16	406	8.26	210	1.37	35	7.67	195	3.84	97,5	15	381
	9723 2040 / 9723 3040																	
	9723 4026 / 9723 4040	4P	10.63	270														

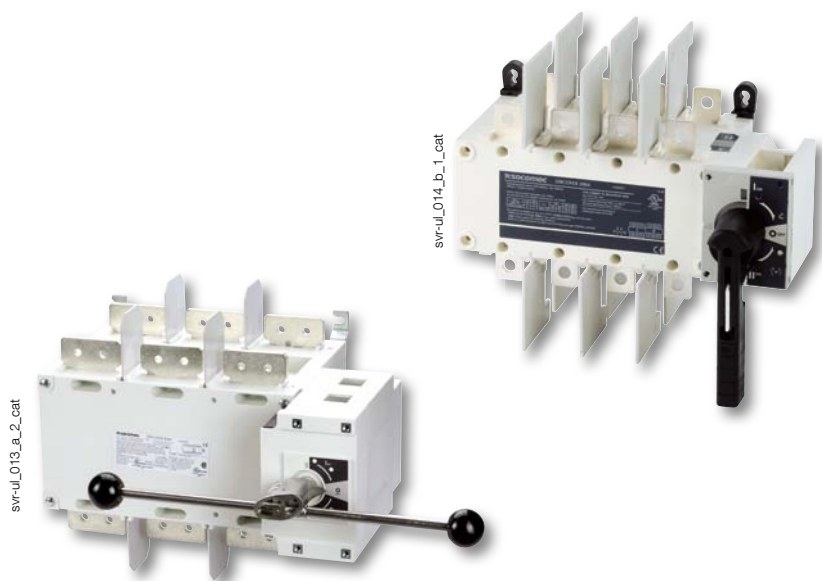


SIRCOVER UL1008/98

Changeover switches

100 to 1200 A

Changeover switches



The solution for

- > Manufacturing industry
- > Power distribution
- > Domestic



Strong points

- > Stable positions
- > Compact design
- > On load switching
- > Reliability

Conformity to standards⁽¹⁾

- > IEC 60947-3
- > UL98, Guide WHTY, file 201138
- > UL1008, Guide WPYV, file 317092
- > CSA 22.2#4, Class 4651-02



⁽¹⁾ Product reference on request.

Function

SIRCOVER UL UL1008/98 are heavy duty manual transfer switches. They ensure switching transfer of sources or transfer of two low voltage circuits on load as well as their safe disconnection.

These switches are extremely durable and are tested and approved for use in the most demanding applications, such as resistive load or total system applications.

Advantages

Stable positions

SIRCOVERs have three stable positions which are not affected by voltage drops or vibrations, thus protecting your load against network interference.

Compact design

The SIRCOVER are based on a back-to-back switching technology, providing a compact solution.

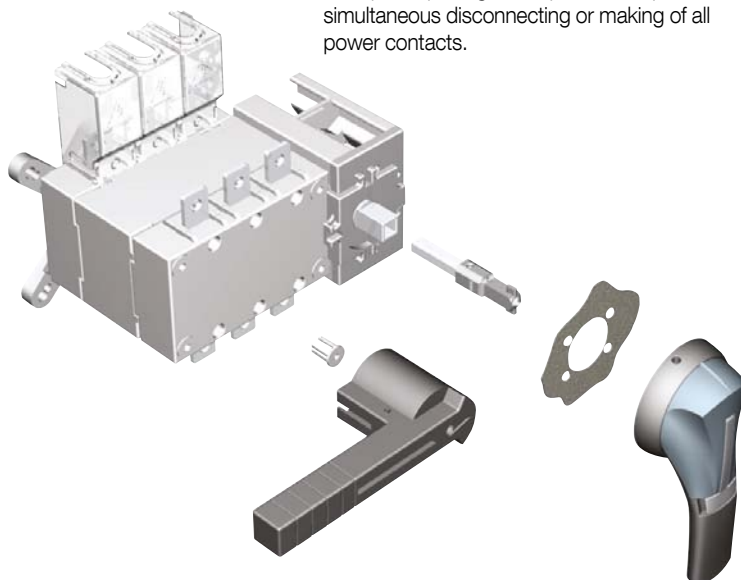
On load switching

The SIRCOVER UL enables secure and reliable switching, without the need for pre-breaking upstream.

Reliability

The SIRCOVER has double breaking per pole achieved through its sliding bar contacts system.

The quick opening and rapid closure provides simultaneous disconnecting or making of all power contacts.



svr_136_a_2_cat

Typical application

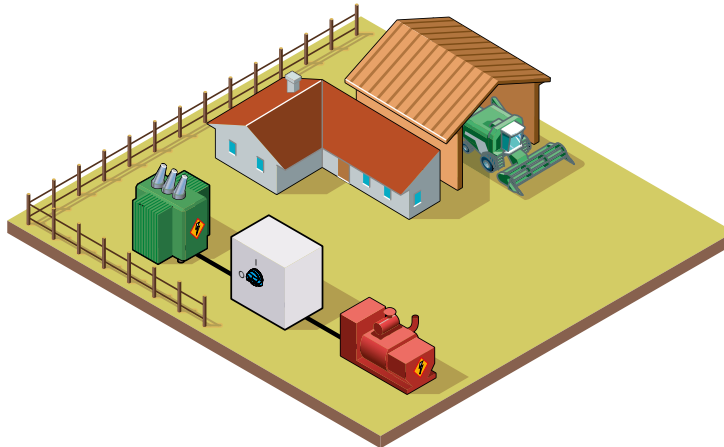
The SIRCOVER UL1008 range provides safe transfer and disconnection at all levels within your LV installation.

They can be used for changing motor phase for rotation control or equipment grounding as well.

Main power to genset transfer

Will ensure the continuity of your electrical supply after starting your genset.

The source transfer will be operated safely even under on-load or over-load conditions



svr-ul_017_a

SOCOMEc solution up to 1200A



svr-ul_014_b_2_cat



U1008 Manual Transfer Switch

From 100 to 400A for resistive and total systems applications
UL98 versions on request



svr-ul_019_a_2_cat



U1008 and UL98 Manual Transfer Switch

From 600 to 1200A for resistive and total systems applications
Has UL98/CSA22.2#4 certification

IEC solution up to 3200A

The SIRCOVER UL1008 is part of a large range that includes an IEC range of standalone or enclosed manual transfer switches and manual by-pass switches with overlapping options. Contact us for further information on our complete range



SIRCOVER UL1008/98

Changeover switches

100 to 1200 A

References

UL 1008 and UL98

Rating (A)	No. of poles	Switch body	Direct handle	External handle	Shaft for external handle	Bridging bars	Auxiliary contacts	Terminal screens				
100 A	2 P	4150 2012	Black 4199 4012	S2 type Black I - 0 - II 4, 4X 142D 2113	S2 type 200 mm 7.9 inches 1400 1020	2P 4159 2021 3P 4159 3021 4P 4159 4021	Contact NO/NC 4159 0021 Low level 4159 0022	2P & 3P 4158 3021 4P 4158 4021				
	3 P	4150 3012										
	4 P	4150 4012										
200 A	2 P	4150 2022		S2 type Black I - 0 - II 4, 4X 142D 2813 ⁽¹⁾	320 mm 12.6 inches 1400 1032 400 mm 15.7 inches 1400 1040	2P 4159 2021 3P 4159 3021 4P 4159 4021		Contact NO/NC 4159 0021 Low level 4159 0022	2P & 3P 4158 3021 4P 4158 4021			
	3 P	4150 3022										
	4 P	4150 4022										
260 A	2 P	4150 2026		Black 4199 4012	S3 type Black I - 0 - II 4, 4X 143D 3113	S3, S4 type 200 mm 7.9 inches 1401 1520 320 mm 12.6 inches 1401 1532 400 mm 15.7 inches 1401 1540		2P 4159 2041 3P 4159 3041 4P 4159 4041	Contact NO/NC 4159 0021 Low level 4159 0022	2P & 3P 4158 3041 4P 4158 4041		
	3 P	4150 3026										
	4 P	4150 4026										
400 A	2 P	4150 2042	Black 4199 7012		S3 type Black I - 0 - II 4, 4X 143D 3113	S3, S4 type 200 mm 7.9 inches 1401 1520 320 mm 12.6 inches 1401 1532 400 mm 15.7 inches 1401 1540	2P 4159 2041 3P 4159 3041 4P 4159 4041	Contact NO/NC 4159 0021 Low level 4159 0022		2P & 3P 4158 3041 4P 4158 4041		
	3 P	4150 3042										
	4 P	4150 4042										
600 A	3 P	4150 3060			Black 4199 7012	S3 type Black I - 0 - II 4, 4X 143D 3113	S3, S4 type 200 mm 7.9 inches 1401 1520 320 mm 12.6 inches 1401 1532 400 mm 15.7 inches 1401 1540			3 P 4159 3063 4 P 4159 4063	Contact NO/NC 4159 0021 Low level 4159 0022	3 P 1609 3063 4 P 1609 4063
	4 P	4150 4060										
800 A	3 P	4150 3080			Black 4199 7062	S4 type Black I - 0 - II 4, 4X 144D 3813 ⁽¹⁾	S3, S4 type 200 mm 7.9 inches 1401 1520 320 mm 12.6 inches 1401 1532 400 mm 15.7 inches 1401 1540			3 P 4159 3080 4 P 4159 4080	Contact NO/NC as standard	3 P 1609 3080 4 P 1609 4080
	4 P	4150 4080										
1200 A	3 P	4150 3120		Black 4199 7062	S4 type Black I - 0 - II 4, 4X 144D 3813 ⁽¹⁾	S3, S4 type 200 mm 7.9 inches 1401 1520 320 mm 12.6 inches 1401 1532 400 mm 15.7 inches 1401 1540	3 P 4159 3080 4 P 4159 4080		Contact NO/NC as standard	3 P 1609 3080 4 P 1609 4080		
	4 P	4150 4120										

(1) Padlockable in all 3 positions.

Accessories

Direct handle

Rating (A)	Colour	Handle type	Reference
100 ... 400	Black	1 lever	4199 4012
600 ... 1200	Black	2 lever	2799 7042



access_129_a_1_cat

External handle

Rating (A)	Handle type	Colour	Nema type	Lockable in 3 positions	Reference
100 ... 200	S2	Black	4, 4X	no	142D 2113
100 ... 200	S2	Red/Yellow	4, 4X	no	142E 2113
100 ... 200	S2	Black	1, 3R, 12	no	142F 2113
100 ... 200	S2	Red/Yellow	1, 3R, 12	no	142G 2113
100 ... 200	S2	Black	4, 4X	yes	142D 2813
100 ... 200	S2	Red/Yellow	4, 4X	yes	142E 2813
100 ... 200	S2	Black	1, 3R, 12	yes	142F 2813
100 ... 200	S2	Red/Yellow	1, 3R, 12	yes	142G 2813
260 ... 600	S3	Black	4, 4X	no	143D 3113
260 ... 600	S3	Red/Yellow	4, 4X	no	143E 3113
260 ... 600	S3	Black	1, 3R, 12	no	143F 3113
260 ... 600	S3	Red/Yellow	1, 3R, 12	no	143G 3113
260 ... 600	S3	Black	4, 4X	yes	143D 3813
260 ... 600	S3	Red/Yellow	4, 4X	yes	143E 3813
260 ... 600	S3	Black	1, 3R, 12	yes	143F 3813
260 ... 600	S3	Red/Yellow	1, 3R, 12	yes	143G 3813
800 ... 1200	S4	Black	4, 4X	no	144D 3113
800 ... 1200	S4	Black	1, 3R, 12	no	144E 3113
800 ... 1200	S4	Black	1, 3R, 12	no	144E 3113
800 ... 1200	S4	Red/Yellow	1, 3R, 12	no	144G 3113
800 ... 1200	S4	Black	4, 4X	yes	144D 3813
800 ... 1200	S4	Red/Yellow	4, 4X	yes	144E 3813
800 ... 1200	S4	Black	1, 3R, 12	yes	144F 3813
800 ... 1200	S4	Red/Yellow	1, 3R, 12	yes	144G 3813
800 ... 1200	S5	Black	1, 3R, 12 ⁽¹⁾	no	1453 8113
800 ... 1200	S5	Red/Yellow	1, 3R, 12 ⁽¹⁾	no	1454 8113
800 ... 1200	V1	Black	1, 3R, 12 ⁽¹⁾	no	4199 7149

(1) For 4, 4X please consult us.

Use

The handle interlocking function prevents the user from opening the door of the enclosure when the switch is in the "ON" position. Opening the door when the switch is in the "ON" position is possible by defeating the interlocking function (Not S5 and V handles) with the use of a tool (authorized persons only).

The interlocking function is restored when the door is re-closed.

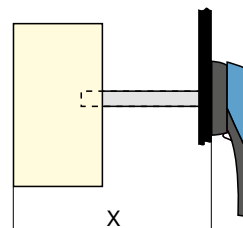


Shaft for external handle

Rating (A)	Handle type	Length (in)	Length (mm)	Dimension X (in)	Dimension X (mm)	Reference
100 ... 200	S2 type	7.9	200	10 ... 14.3	254 ... 362	1400 1020
100 ... 200	S2 type	12.6	320	10 ... 19	254 ... 482	1400 1032
100 ... 200	S2 type	15.7	400	10 ... 22.1	254 ... 562	1400 1040
260 ... 400	S3 type	7.9	200	12 ... 18.4	305 ... 467	1401 1520
260 ... 400	S3 type	12.6	320	12 ... 23.1	305 ... 587	1401 1532
260 ... 400	S3 type	15.7	400	12 ... 26.3	305 ... 667	1401 1540
260 ... 400	S3 type	7.9	200	20 ... 23.4	508 ... 594	1401 1520
260 ... 400	S3 type	12.6	320	20 ... 28.1	508 ... 714	1401 1532
260 ... 400	S3 type	15.7	400	20 ... 31.3	508 ... 794	1401 1540
800 ... 1200	S4 type	7.9	200	20 ... 23.4	508 ... 594	1401 1520
800 ... 1200	S4 type	12.6	320	20 ... 28.1	508 ... 714	1401 1532
800 ... 1200	S4 type	15.7	400	20 ... 31.3	508 ... 794	1401 1540
800 ... 1200	V1 / S5 type	12.6	320	20 ... 28.1	508 ... 714	4199 3018
800 ... 1200	V1 / S5 type	15.7	400	20 ... 31.3	508 ... 794	4199 3019



access_369_a_1_cat



access_202_a_1_x_cat

SIRCOVER UL1008/98

Changeover switches

100 to 1200 A

Bridging bars

Use

Creation of a common point, above or below the switch, between positions I and II.

Rating (A)	No. bridging bar	Reference
100 ... 200	2	4159 2021
100 ... 200	3	4159 3021
100 ... 200	4	4159 4021
260 ... 400	2	4159 2041
260 ... 400	3	4159 3041
260 ... 400	4	4159 4041
600	3	4159 3063
600	4	4159 4063
800 ... 1200	3	4159 3080
800 ... 1200	4	4159 4080



access_205_a_1_cat

Terminal protection screen

Use

Top or bottom protection against direct contact with terminals or connecting parts.

Rating (A)	No. of poles	Reference
100 ... 200	2P / 3P	4158 3021
100 ... 200	4 P	4158 4021
260 ... 400	2P / 3P	4158 3041
260 ... 400	4 P	4158 4041
600	6 P	1609 3063
600	4 P	1609 4063
800 ... 1200	3 P	1609 3080
800 ... 1200	4 P	1609 4080



access_207_a_1_cat

Auxiliary contacts

Use

Pre-break and signalisation of positions .
For low level ACs and other ACs contact us.

Electrical characteristics

A300.

NO/NC auxiliary contact

Rating (A)	Contact (s)	Reference
100 ... 400	NO/NC on position 1 and 2	4159 0021
100 ... 400	Low level NO/NC on position 1 and 2	4159 0022
600 ... 1200	NO/NC on position 1 and 2	as standard



access_065_a_1_cat

Terminal lugs

Use

Connection of bare copper cables onto the terminals (without lugs).

Rating (A)	Wires range	No wires per lug	Lugs per kit	Wires	Reference
100 ... 200	6 - 300MCM	1	2	Cu / Al	3954 2020
100 ... 200	6 - 300MCM	1	3	Cu / Al	3954 3020
100 ... 200	6 - 300MCM	1	4	Cu / Al	3954 4020
260 ... 400	4 - 600MCM	1	2	Cu / Al	3954 2040
260 ... 400	4 - 600MCM	1	3	Cu / Al	3954 3040
260 ... 400	4 - 600MCM	1	4	Cu / Al	3954 4040
260 ... 400	2x (#6 - 350MCM)	2	2	Cu / Al	3954 2041
260 ... 400	2x (#6 - 350MCM)	2	3	Cu / Al	3954 3041
260 ... 400	2x (#6 - 350MCM)	2	4	Cu / Al	3954 4041
600	2x (#2 - 600MCM)	2	3	Cu / Al	3954 3060
600	2x (#2 - 600MCM)	2	4	Cu / Al	3954 4060
800 ... 1200	2x 2x(#2 - 600MCM)	2	6	Cu / Al	3954 3120
800 ... 1200	2x 2x(#2 - 600MCM)	2	8	Cu / Al	3954 4120



ul_032_a

Characteristics

Characteristics according to UL1008

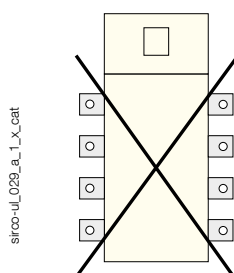
	100 to 1200 A						
General use rating (A)	100 A	200 A	260 A	400 A	600 A	800 A	1200 A
Operation voltage	600	600	600	600	600	600	600
Short circuit rating at 600 VAC (kA)	100	100	65	65	100	100	100
Type of fuse	J	J	J	J	L	L	L
Max. fuse rating (A)	200	400	600	600	800	1000	1600
Short circuit rating with circuit breaker (kA/ms)	10 / 50	10 / 50	14 / 50	14 / 50	35 / 50	35 / 50	35 / 50
Operational power / current max Operational 1 ph							
240 VAC Total system (A)	100	100	260	400	-	-	-
240 VAC Resistive load (A)	100	200	260	400	-	-	-
Operational power / current max Operational 3 ph							
240 VAC Total System (A)	100	200	260	400	400	700	700
240 VAC Resistive load (A)	100	200	260	400	600	800	1200
480 VAC Total System (A)	100	100	260	400	350	600	600
480 VAC Resistive load (A)	100	200	260	400	600	800	1200
600 VAC Total System (A)	100	100	200	200	200	200	200
600 VAC Resistive load (A)	100	200	260	400	600	800	1200
Mechanical endurance							
Endurance (number of operating cycles)	6050	6050	6050	6050	6050	3550	3550
Connection terminals							
Min. connection section / AWG	#6	#6	#4 / 2 x #6	#4 / 2 x #6	2x #2	4x #2	4x #2
Max. connection section / AWG	300MCM	300MCM	600MCM / 2x 350MCM	600MCM / 2x 350MCM	2x 600MCM	4x 600MCM	4x 600MCM

Characteristics according to UL98/CSA22.2#4

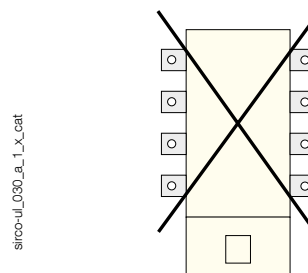
	100 to 1200 A						
General use rating at 600VAC and 250VDC (A)	On request				600 A	800 A	1200 A
Short circuit rating at 600 VAC (kA)	-	-	-	-	200	100	100
Type of fuse	-	-	-	-	J	L	L
Max. fuse rating (A)	-	-	-	-	600	800	1200
Max. motor, hp / FLA 3 ph motor max.							
220-240 VAC	-	-	-	-	200 / 480	-	-
440-480 VAC	-	-	-	-	400 / 477	-	-
600 VAC	-	-	-	-	500 / 472	-	-
Mechanical characteristics							
Endurance (number of operating cycles)	-	-	-	-	6000	3500	3500
Operating torque (lbs.in/Nm)	-	-	-	-	327.5/37	442.5/50	442.5/50
Auxiliary contacts							
Electrical characteristics	A300	A300	A300	A300	A300	A300	A300

Mounting orientation

SIRCOVER - 100 to 400 A

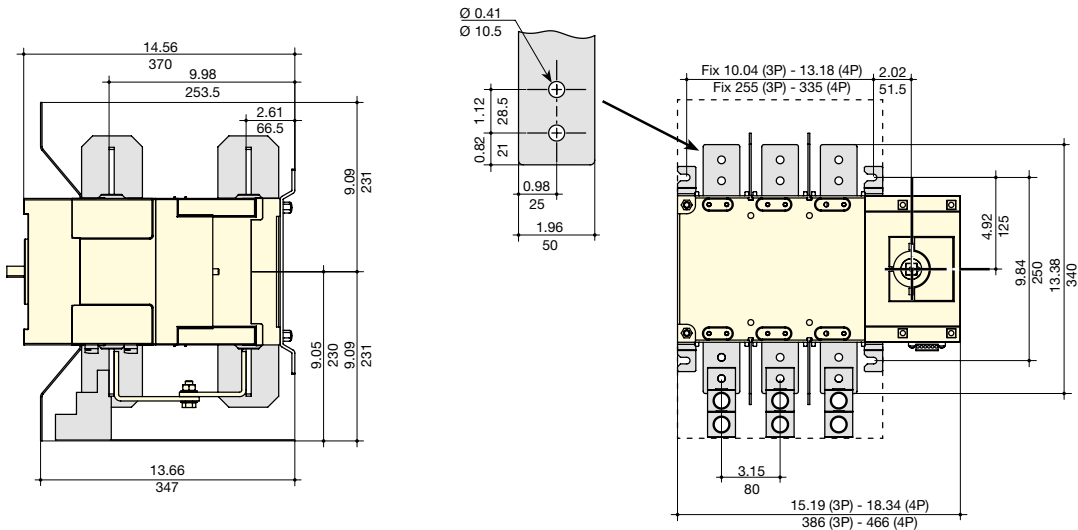


SIRCOVER - 600 to 1200 A



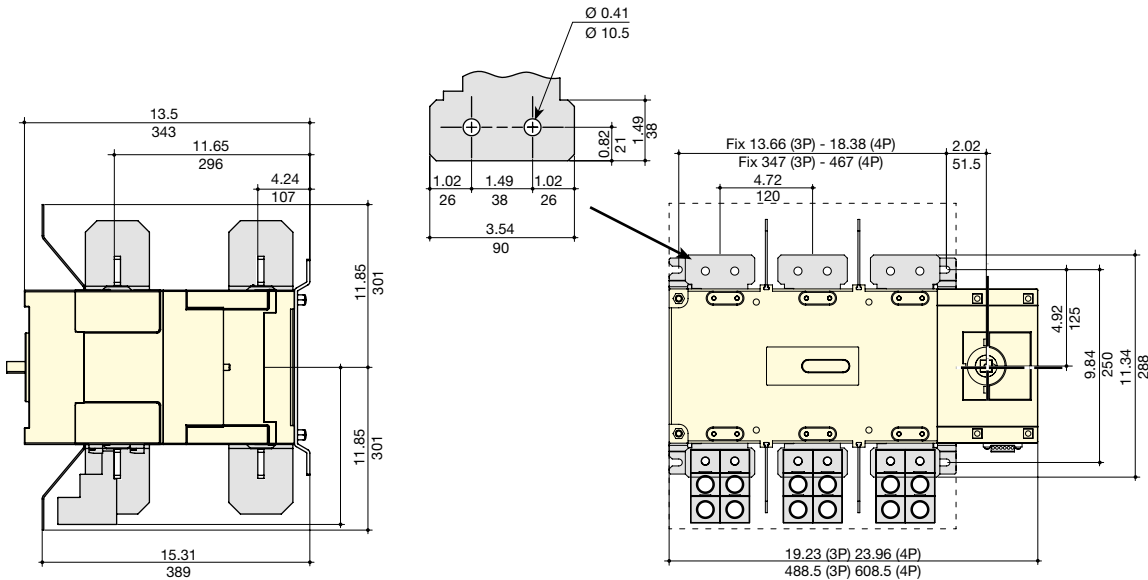
Dimensions (in/mm) (continued)

600 A



svr-ul_003_a_x_cat

800 to 1200 A



svr-ul_004_b_x_cat

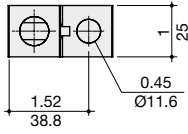
SIRCOVER UL1008/98

Changeover switches

100 to 1200 A

Terminal lugs (in/mm)

SIRCOVER 100 to 200 A

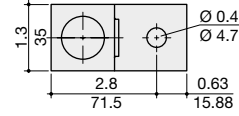


sirco_115_b_1_us_cat

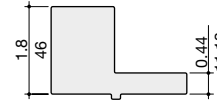


300 kcmil

SIRCOVER 260 to 400 A

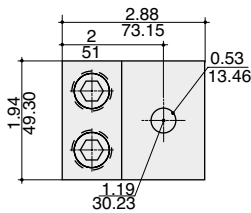


sirco-ul_010_a_1_us_cat

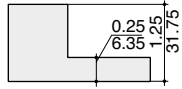


600 kcmil

SIRCOVER 260 to 400A

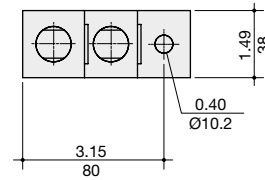


sirco-ul_026_b_1_us_cat

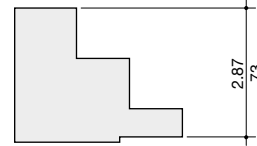


2 x 350 kcmil

SIRCOVER 600 to 1200 A



sirco_116_b_1_us_cat



2 x 600 kcmil

External handles dimensions (in/mm)

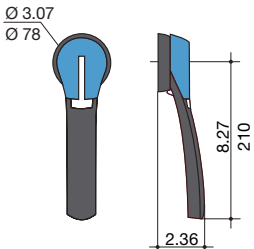
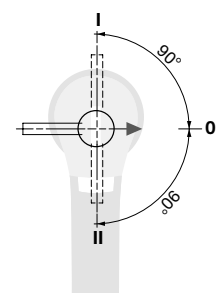
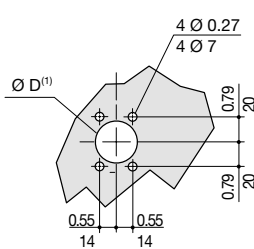
SIRCOVER 100 and 200 A

Handle type	Front operation Direction of operation	Door drilling
S2 type 		

svr-ul_010_a_1_gb_cat

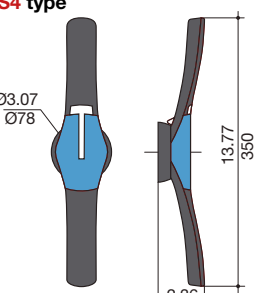
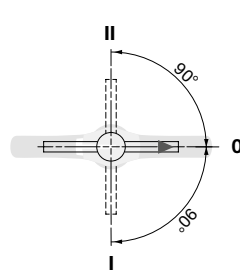
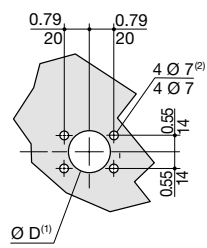
External handles dimensions (in/mm)

SIRCOVER 260 and 600 A

Handle type	Front operation Direction of operation	Door drilling
S3 type 		

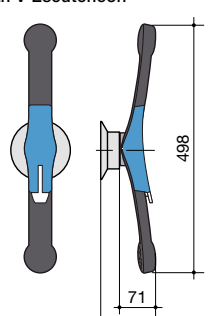
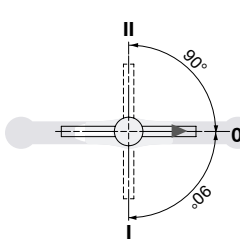
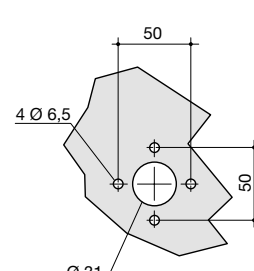
svr-ul012_a_1_gb_cat

SIRCOVER 800 to 1200 A

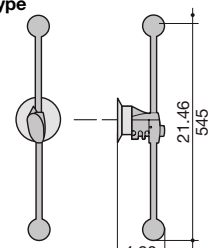
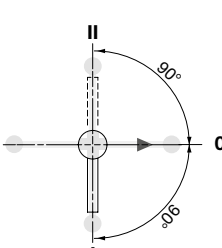
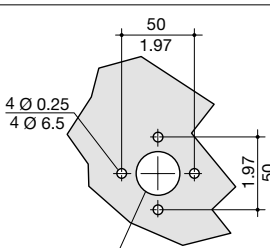
Handle type	Front operation Direction of operation	Door drilling
S4 type 		

svr-ul011_a_1_gb_cat

SIRCOVER 800 to 1200 A

Handle type	Front operation Direction of operation	Door drilling
S5 type with V Escutcheon 		

poign_023_a_1_gb_cat

Handle type	Front operation Direction of operation	Door drilling
V1 type 		

srco-ul031_a_1_gb_cat

Socomec worldwide

IN EUROPE

BELGIUM

Critical Power / Power Control & Safety /
Energy Efficiency / Solar Power Power

Tel. +32 2 340 02 30
Fax +32 2 346 28 99
info.be@socomec.com

FRANCE

Critical Power / Power Control & Safety /
Energy Efficiency / Solar Power

Tel. +33 1 45 14 63 00
Fax +33 1 48 67 31 12
dcm.ups.fr@socomec.com

GERMANY

Critical Power

Tel. +49 621 71 68 40
Fax +49 621 71 68 444
info.ups.de@socomec.com

Power Control & Safety / Energy Efficiency

Tel. +49 7243 65292 0
Fax +49 7243 65292 13
info.scp.de@socomec.com

ITALY

Critical Power

Tel. +39 02 98 242 942
Fax +39 02 98 240 723
info.ups.it@socomec.com

Power Control & Safety / Energy Efficiency

Tel. +39 02 98 49 821
Fax +39 02 98 24 33 10
info.scp.it@socomec.com

Solar Power

Tel. +39 0444 598611
Fax +39 0444 598627
info.solar.it@socomec.com

NETHERLANDS

Critical Power / Power Control & Safety /
Energy Efficiency / Solar Power

Tel. +31 30 760 0900
Fax +31 30 637 2166
info.nl@socomec.com

POLAND

Critical Power

Tel. +48 22 825 73 60
Fax. +48 22 825 73 60
info.ups.pl@socomec.com

Power Control & Safety / Energy Efficiency

Tel. +48 91 442 64 11
Fax +48 91 442 64 19
info.scp.pl@socomec.com

PORTUGAL

Critical Power / Solar Power

Tel. +351 261 812 599
Fax +351 261 812 570
info.ups.pt@socomec.com

ROMANIA

Critical Power / Power Control & Safety /
Energy Efficiency / Solar Power

Tel. +40 21 319 36 88
Fax +40 21 319 36 89
info.ro@socomec.com

RUSSIA

Critical Power / Power Control & Safety /
Energy Efficiency / Solar Power

Tel. +7 495 775 19 85
Fax +7 495 775 19 85
info.ru@socomec.com

SLOVENIA

Critical Power / Power Control & Safety /
Energy Efficiency / Solar Power

Tel. +386 1 5807 860
Fax +386 1 561 11 73
info.si@socomec.com

SPAIN

Critical Power / Power Control & Safety /
Energy Efficiency / Solar Power

Tel. +34 93 540 75 75
Fax +34 93 540 75 76
info.es@socomec.com

TURKEY

Critical Power / Power Control & Safety /
Energy Efficiency / Solar Power

Tel. +90 216 540 71 20-21-22
Fax +90 216 540 71 27
info.tr@socomec.com

UNITED KINGDOM

Critical Power

Tel. +44 1285 863 300
Fax +44 1285 862 304
info.ups.uk@socomec.com

Power Control & Safety / Energy Efficiency

Tel. +44 1462 440 033
Fax +44 1462 431 143
info.scp.uk@socomec.com

IN ASIA PACIFIC

AUSTRALIA

Critical Power / Power Control & Safety

Tel. +61 2 9325 3900
Fax +61 2 9888 9544
info.ups.au@socomec.com

CHINA

Critical Power / Power Control & Safety /
Energy Efficiency

Tel. +86 21 52 98 95 55
Fax +86 21 62 28 34 68
info.cn@socomec.com

INDIA

Critical Power / Solar Power

Tel. +91 44 39215400
Fax +91 44 39215450 & 51
info.ups.in@socomec.com
info.solar.in@socomec.com

Power Control & Safety / Energy Efficiency

Tel. +91 124 4027210
Fax +91 124 4562738
info.scp.in@socomec.com

SINGAPORE

Critical Power / Power Control & Safety /
Energy Efficiency

Tel. +65 6506 7600
Fax +65 64 58 7377
info.sg@socomec.com

THAILAND

Critical Power

Tel. +66 2 941 1644 7
Fax +66 2 941 1650
info.ups.th@socomec.com

VIETNAM

Critical Power

Tel. +84 8 3559 1220
Fax +84 8 3559 1221
info.ups.vn@socomec.com

IN MIDDLE EAST

UNITED ARAB EMIRATES

Critical Power / Power Control & Safety /
Energy Efficiency / Solar Power

Tel. +971 4 29 98 441
Fax +971 4 29 98 449
info.ae@socomec.com

IN AMERICA

USA, CANADA & MEXICO

Power Control & Safety / Energy Efficiency

Tel. +1 617 245 0447
Fax +1 617 245 0437
info.us@socomec.com

OTHER COUNTRIES

NORTH AFRICA

Algeria / Morocco / Tunisia
info.naf@socomec.com

AFRICA

Other countries
info.africa@socomec.com

SOUTH EUROPE

Cyprus / Greece / Israel / Malta
info.se@socomec.com

SOUTH AMERICA

Tel. +34 93 540 75 75
info.es@socomec.com

MORE DETAILS

www.socomec.com/worldwide

HEAD OFFICE

SOCOMECS GROUP

SAS SOCOMECS capital 10 816 800€
R.C.S. Strasbourg B 548 500 149
B.P. 60010 - 1, rue de Westhouse
F-67235 Benfeld Cedex - FRANCE
Tel. +33 3 88 57 41 41
Fax +33 3 88 74 08 00
info.scp.isd@socomec.com

www.socomec.com

YOUR DISTRIBUTOR

