



# FUSERBLOC and high-speed fuses (UR)

## Fuse combination switches

protection of power semi-conductors up to 1250 A

Fuse protection



fuser\_437\_a\_1\_cat

**FUSERBLOC**  
630 to 1250 A



fuser\_439\_a\_1\_cat

**FUSERBLOC**  
from 25 to 400 A

### The solution for

- > Protection of inverters and variable speed drives.



### Strong points

- > Limitation of short-circuit current.

### Large range

- > Contact us for any other combinations (1250 V UR fuses, notched fuses with 80 or 110 mm distance between centres, other sizes, etc.)

## Function

**FUSERBLOC fuse combination switches** combined with high speed fuses (UR) provide optimal breaking and making on load, safety isolation and protection of power semiconductors (variable speed drives, inverters...)

## Advantages

### Limitation of short-circuit current

The limitation of short-circuit current provided by the fuse solution is the most performant and economical on the market (UR fuses).

# FUSERBLOC and high-speed fuses (UR)

Fuse combination switches

protection of power semi-conductors up to 1250 A

## Characteristics

### FUSERBLOC for 690 VAC UR cylindrical fuses

FUSERBLOC CD 50 A for fuse size 14 x 51									
Fuse rating (A)	10	12	16	20	25	32	40	50	
Max. I for the FUSERBLOC (A)	10	12	16	20	25	29	36	40	
FUSERBLOC CD 125 A for fuse size 22 x 58									
Fuse rating (A)	20	25	32	40	50	63	80	100	
Max. I for the FUSERBLOC (A)	20	25	32	40	50	63	71	85	

## References

### Direct side operation

Fuse rating (A) Frame size	No. of poles	Switch body	Direct handle	Auxiliary contact pre-break and position
50 A / 14 x 51 1	2 P	3615 <b>2005</b>	Black 3629 <b>7900</b>	1 contact NO/NC 3999 <b>0021</b> 2 contacts NO/NC 3999 <b>0022</b>
	3 P	3615 <b>3005</b>		
	4 P	3615 <b>6005</b>		
125 A / 22 x 58 3	2 P	3615 <b>2011</b>	Black 3629 <b>7901</b>	
	3 P	3615 <b>3011</b>		
	4 P	3615 <b>6011</b>		

### External right side or front operation

Fuse rating (A) Frame size	No. of poles	Switch body	External front handle	External side handle	Shaft for external handle	Auxiliary contact pre-break and position
50 A / 14 x 51 11	2 P	3831 <b>2005</b>	Black IP55 1411 <b>2111</b> Red / Yellow IP65 1414 <b>2111</b>	Black IP55 1415 <b>2111</b> Red / Yellow IP65 1418 <b>2111</b>	320 mm 1400 <b>1032</b>	1 contact NC 3999 <b>0701</b> 1 contact NO 3999 <b>0702</b>
	3 P	3831 <b>3005</b>				
	4 P	3831 <b>6005</b>				
125 A / 22 x 58 13	2 P	3831 <b>2011</b>	Black IP55 1421 <b>2111</b> Red IP65 1424 <b>2111</b>	Black IP55 1425 <b>2111</b> Red / Yellow IP65 1428 <b>2111</b>		
	3 P	3831 <b>3011</b>				
	4 P	3831 <b>6011</b>				

## Accessories

Other accessories: See the FUSERBLOC pages

# FUSERBLOC and high-speed fuses (UR)

## Fuse combination switches

protection of power semi-conductors up to 1250 A

## Characteristics

### FUSERBLOC for DIN 43620 UR knife-edge fuses

FUSERBLOC 160 A for fuse size 000 and 00															
Fuse rating (A)	10	16	20	25	32	40	50	63	80	100	125	160	200	250	315
Max. I for the FUSERBLOC (A)	10	16	20	25	32	32	37	44	51	92	105	121	140	140	140
FUSERBLOC 250 A for fuse size 1*															
Fuse rating (A)				40	50	63	80	100	125	160	200	250	315	350	400
Max. I for the FUSERBLOC (A)				40	50	63	80	100	125	155	178	205	210	215	220
FUSERBLOC 400 A for fuse size 2															
Fuse rating (A)						200	250	315	350	400	450	500	550	630	700
Max. I for the FUSERBLOC (A)						200	250	285	310	330	330	340	340	350	350
FUSERBLOC 630 A for fuse size 3															
Fuse rating (A)									500	550	630	700	800	900	1000
Max. I for the FUSERBLOC (A)									360	380	420	450	480	500	510

## References

### Direct side operation

Fuse rating (A) Frame size	No. of poles	Switch body	Direct handle	Auxiliary contact pre-break and signalisation	Fuse protection covers
160 A / 00 3	2 P	3615 2015	Black 3629 7901	1 contact NO/NC 3999 0021 2 contacts NO/NC 3999 0022	3990 7015 <sup>(1)</sup>
	3 P	3615 3015			3990 8015 <sup>(1)</sup>
	4 P	3615 6015			3990 9015 <sup>(1)</sup>
160 A / 0 4	2 P	3615 2016			3990 7016 <sup>(1)</sup>
	3 P	3615 3016			3990 8016 <sup>(1)</sup>
	4 P	3615 6016			3990 9016 <sup>(1)</sup>
250 A / 1 5	2 P	3615 2024			3990 7024 <sup>(1)</sup>
	3 P	3615 3024			3990 8024 <sup>(1)</sup>
	4 P	3615 6024			3990 9024 <sup>(1)</sup>
400 A / 2 6	2 P	3615 2039			3990 7039 <sup>(1)</sup>
	3 P	3615 3039			3990 8039 <sup>(1)</sup>
	4 P	3615 6039			3990 9039 <sup>(1)</sup>
630 A / 3 17	2 P	3811 2063	Black 3899 6011	1 contact NC 3999 0701 1 contact NO 3999 0702	3890 8063 <sup>(1)</sup>
	3 P	3811 3063			3890 9063 <sup>(1)</sup>
	4 P	3811 6063			

(1) Terminal shrouds for FUSERBLOC fitted fuse blown microswitch.

# FUSERBLOC and high-speed fuses (UR)

Fuse combination switches

protection of power semi-conductors up to 1250 A

## External right side or front operation

Fuse rating (A) Frame size	No. of poles	Switch body	External front handle	External side handle	Shaft for external handle	Auxiliary contact pre-break and position	Fuse protection covers												
160 A / 00 13	2 P	3831 2015	Black IP55 1421 2111 Red / Yellow IP65 1424 2111	Black IP55 1425 2111 Red / Yellow IP65 1428 2111	200 mm 1400 1020 320 mm 1400 1032	1 contact NC 3999 0701 1 contact NO 3999 0702	3990 7015 <sup>(1)</sup>												
	3 P	3831 3015					3990 8015 <sup>(1)</sup>												
	4 P	3831 6015					3990 9015 <sup>(1)</sup>												
160 A / 0 14	2 P	3831 2016					Black IP65 1433 3111 Red / Yellow IP65 1434 3111	Black IP65 1437 3111 Red / Yellow IP65 1438 3111	200 mm 1400 1220 320 mm 1400 1232	1 contact NC 3999 0701 1 contact NO 3999 0702	3990 7016 <sup>(1)</sup>								
	3 P	3831 3016									3990 8016 <sup>(1)</sup>								
	4 P	3831 6016									3990 9016 <sup>(1)</sup>								
250 A / 1 15	2 P	3831 2024									Black IP65 1433 3111 Red / Yellow IP65 1434 3111	Black IP65 1437 3111 Red / Yellow IP65 1438 3111	200 mm 1400 1220 320 mm 1400 1232	1 contact NC 3999 0701 1 contact NO 3999 0702	3990 7024 <sup>(1)</sup>				
	3 P	3831 3024													3990 8024 <sup>(1)</sup>				
	4 P	3831 6024													3990 9024 <sup>(1)</sup>				
400 A / 2 16	2 P	3831 2039													Black IP65 1433 3111 Red / Yellow IP65 1434 3111	Black IP65 1437 3111 Red / Yellow IP65 1438 3111	200 mm 1400 1220 320 mm 1400 1232	1 contact NC 3999 0701 1 contact NO 3999 0702	3990 7039 <sup>(1)</sup>
	3 P	3831 3039																	3990 8039 <sup>(1)</sup>
	4 P	3831 6039																	3990 9039 <sup>(1)</sup>
630 A / 3 17	2 P	3811 2063	Black IP65 1433 3111 Red / Yellow IP65 1434 3111	Black IP65 1437 3111 Red / Yellow IP65 1438 3111	200 mm 1400 1220 320 mm 1400 1232	1 contact NC 3999 0701 1 contact NO 3999 0702													3890 8063 <sup>(1)</sup>
	3 P	3811 3063																	3890 9063 <sup>(1)</sup>
	4 P	3811 6063																	

(1) Terminal shrouds for FUSERBLOC fitted fuse blown microswitch.

## Accessories

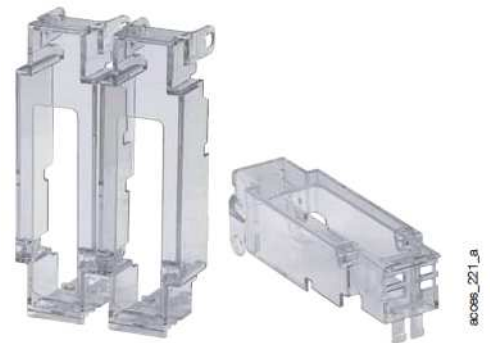
### FUSERBLOC for DIN 43620 UR knife-edge fuses

#### Terminal shrouds for FUSERBLOC fitted fuse blown microswitch

##### Use

Protection against direct contact with live parts situated in the fuse compartment for FUSERBLOC fitted with UR fuses with fuse blown auxiliary contacts.

Rating (A)	Fuse <sup>(1)</sup>	No. of poles	Accessories <sup>(2)</sup>	Options <sup>(3)</sup>
			References	References
160	00	2 P	3990 7015	3999 7015
160	00	3 P	3990 8015	3999 8015
160	00	4 P	3990 9015	3999 9015
160	0	2 P	3990 7016	3999 7016
160	0	3 P	3990 8016	3999 8016
160	0	4 P	3990 9016	3999 9016
250	1	2 P	3990 7024	3999 7024
250	1	3 P	3990 8024	3999 8024
250	1	4 P	3990 9024	3999 9024
400	2	2 P	3990 7039	3999 7039
400	2	3 P	3990 8039	3999 8039
400	2	4 P	3990 9039	3999 9039
630	3	3 P	3890 8063	3899 8063
630	3	4 P	3890 9063	3899 9063



(1) For the fuses: see "UR fuses 10 to 2000 A" page

(2) If ordered at the same time as the standard device.

(3) If ordered later.

Other accessories: See the FUSERBLOC pages

# FUSERBLOC and high-speed fuses (UR)

## Fuse combination switches

protection of power semi-conductors up to 1250 A

## Characteristics

### FUSERBLOC for UR fuses type K/50

FUSERBLOC V 800 A for BK fuses size 2														
Fuse rating (A)	400	450	500	550	630	700	800	900	1000	1100	1250			
Max. I for the FUSERBLOC (A)	380	420	440	450	500	520	530	530	530	540	550			
FUSERBLOC 1250 A for fuse size 3														
Fuse rating (A)	500	550	630	700	800	900	1000	1100	1250	1400	1500	1600	1800	2000
Max. I for the FUSERBLOC (A)	500	550	620	630	720	790	870	940	1050	1100	1100	1100	1100	1100

## References

### Front operation

Rating (A) / Fuse	No. of poles	Switch body only <sup>(1)</sup>	Direct handle	External handle	Shaft for external handle	Fuse protection covers	Auxiliary contact pre-break and position	Terminal shrouds
800 A / 2	3 P	3680 3081	Please consult us	Black IP55 1443 3111 <sup>(2)</sup> Red / Yellow IP65 1444 3111	200 mm 1400 1220 320 mm 1400 1232	Please consult us	Please consult us	Please consult us
	4 P	3680 6081						
1250 A / 3	3 P	3680 3121						
	4 P	3680 6121						

(1) Please consult us.

(2) Standard.

## Characteristics

### FUSERBLOC for UR fuses type K/110

FUSERBLOC 250 A for fuse size 1* (690 VAC) <sup>(1)</sup>																	
Fuse rating (A)	40	50	63	80	100	125	160	200	250	315	350	400	450	500	550	630	
Max. I for the FUSERBLOC (A)	40	50	63	80	100	120	140	165	195	215	230	240	240	240	230	240	
FUSERBLOC 400 A for fuse size 1* (690 VAC) <sup>(1)</sup>																	
Fuse rating (A)					200	250	315	350	400	450	500	550	630	700	800	900	
Max. I for the FUSERBLOC (A)					145	165	200	220	240	265	290	310	340	370	395	395	
FUSERBLOC 500 A for fuse size 2* (690 VAC) <sup>(1)</sup>																	
Fuse rating (A)											400	450	500	550	630	700	
Max. I for the FUSERBLOC (A)											320	345	370	390	425	460	
FUSERBLOC 630 A for fuse size 2 to 690 VAC <sup>(1)</sup>																	
Fuse rating (A)												800	900	1000	1100	1250	
Max. I for the FUSERBLOC (A)												495	545	590	610	620	
FUSERBLOC 800 A for fuse size 3 to 690 VAC <sup>(1)</sup>																	
Fuse rating (A)				500	550	630	700	800	900	1000	1100	1250	1400	1500	1600	1800	2000
Max. I for the FUSERBLOC (A)				370	395	440	480	535	590	645	695	760	800	800	800	800	800
FUSERBLOC 1250 A for fuse size 3 Please consult us.																	

(1) For UR fuses type K/110 1250 VAC, please consult us.

## References

### External right side or front operation switch

Rating (A) / Fuse	No. of poles	Switch body	Direct side handle	Direct front handle	Fuse protection covers	Auxiliary contact pre-break and signalisation	Terminal shrouds
250 A / 1*	2 P	36U1 2024	Black 3629 7901		2 P 3990 2839 <sup>(1)</sup> 3 P 3990 3839 <sup>(1)</sup>	1 contact NO/NC 3999 0021	2 P 3998 2025 3 P 3998 3025
	3 P	36U1 3024					
400 A / 1	2 P	36U1 2039					
	3 P	36U1 3039					
500 A / 2	2 P	38U1 2050	Black 1437 7911		2 P 3890 2U63 <sup>(1)</sup> 3 P 3890 3U63 <sup>(1)</sup>	1 contact NC 3999 0701 1 contact NO 3999 0702	2 P 3898 2080 3 P 3898 3080
	3 P	38U1 3050					
630 A / 2	2 P	38U1 2063					
	3 P	38U1 3063					
800 A / 3	2 P	38U1 2080					
	3 P	38U1 3080					
1250 A / 3	2 P	38U1 2120	Black 3899 7011		3890 2U12 <sup>(1)</sup> 3890 3U12 <sup>(1)</sup>		3898 2120 3898 3120
	3 P	38U1 3120					

(1) Terminal shrouds for FUSERBLOC fitted fuse blown microswitch.

# FUSERBLOC and high-speed fuses (UR)

Fuse combination switches

protection of power semi-conductors up to 1250 A

## External right side or front operation

Rating (A) / Fuse	No. of poles	Switch body	External front handle	External side handle	Shaft for external handle	Fuse protection covers	Auxiliary contact pre-break and position	Terminal shrouds
250 A / 1*	2 P	38U1 2024	S2 type Black IP55 1421 2111 S2 type Red IP65 1424 2111	S2 type Black IP55 1425 2111 S2 type Red/yellow IP65 1428 2111	320 mm 1400 1032	2 P 3990 2839 <sup>(1)</sup> 3 P 3990 3839 <sup>(1)</sup>		2 P 3998 2025 3 P 3998 3025
	3 P	38U1 3024						
400 A / 1	2 P	38U1 2039	S2 type Red IP65 1424 2111	S2 type Red/yellow IP65 1428 2111	320 mm 1400 1032	2 P 3990 2839 <sup>(1)</sup> 3 P 3990 3839 <sup>(1)</sup>		2 P 3998 2025 3 P 3998 3025
	3 P	38U1 3039						
500 A / 2	2 P	38U1 2050	S3 type Black IP65 1433 3111 S3 type Red/Yellow IP65 1434 3111	S3 type Black IP65 1437 3111 S3 type Red/Yellow IP65 1438 3111	320 mm 1400 1232	2 P 3890 2U63 <sup>(1)</sup> 3 P 3890 3U63 <sup>(1)</sup>	1 contact NC 3999 0701 1 contact NO 3999 0702	2 P 3898 2080 3 P 3898 3080
	3 P	38U1 3050						
630 A / 2	2 P	38U1 2063	S3 type Black IP65 1433 3111 S3 type Red/Yellow IP65 1434 3111	S3 type Black IP65 1437 3111 S3 type Red/Yellow IP65 1438 3111	320 mm 1400 1232	2 P 3890 2U63 <sup>(1)</sup> 3 P 3890 3U63 <sup>(1)</sup>	1 contact NC 3999 0701 1 contact NO 3999 0702	2 P 3898 2080 3 P 3898 3080
	3 P	38U1 3063						
800 A / 3	2 P	38U1 2080	S3 type Black IP65 1433 3111 S3 type Red/Yellow IP65 1434 3111	S3 type Black IP65 1437 3111 S3 type Red/Yellow IP65 1438 3111	320 mm 1400 1232	2 P 3890 2U63 <sup>(1)</sup> 3 P 3890 3U63 <sup>(1)</sup>	1 contact NC 3999 0701 1 contact NO 3999 0702	2 P 3898 2080 3 P 3898 3080
	3 P	38U1 3080						
1250 A / 3	2 P	38U1 2120	S4 type Black IP65 1443 3111 S4 type Red/Yellow IP65 1444 3111	S3 type Black IP65 1437 3111 S3 type Red/Yellow IP65 1438 3111	320 mm 1400 1232	2 P 3890 2U12 <sup>(1)</sup> 3 P 3890 3U12 <sup>(1)</sup>	1 contact NC 3999 0701 1 contact NO 3999 0702	2 P 3898 2120 3 P 3898 3120
	3 P	38U1 3120						

(1) Terminal shrouds for FUSERBLOC fitted fuse blown microswitch.

## Accessories

### FUSERBLOC for UR fuses type K/110

#### Terminal shrouds for FUSERBLOC fitted fuse blown microswitch

##### Use

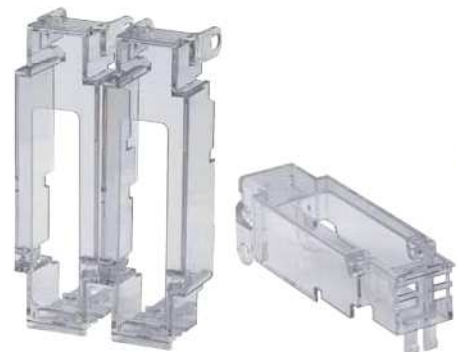
Protection against direct contact with live parts situated in the fuse compartment for FUSERBLOC fitted with UR fuses with fuse blown auxiliary contacts.

Rating (A)	Fuses <sup>(3)</sup>	No. of poles	Accessories <sup>(1)</sup>	
			Reference	Option <sup>(2)</sup>
250... 400	1* / 1	2 P	3999 2839	3990 2839
250... 400	1* / 1	3 P	3999 3839	3990 3839
500 ... 800	2 / 3	2 P	3899 2U63	
500 ... 800	2 / 3	3 P	3899 2U63	3890 3U63
1250	3	2 P	3899 2U12	3890 2U12
1250	3	3 P	3899 3U12	3890 3U12
500 ... 800	2 / 3	2 P		3890 2U63

(1) If ordered later.

(2) If ordered at the same time as the standard device.

(3) For the fuses: see "UR fuses 10 to 2000 A" page



access\_221\_a

Other accessories: see the FUSERBLOC pages